



## EC type-examination certificate

**Certificate no.:** AGB 232/1

**Notified body:** TÜV SÜD Industrie Service GmbH  
Westendstr. 199  
80686 München - Germany

**Applicant/  
Certificate holder:** SLC - SCHLOSSER LUEZAR & CVR S.L.  
PC Mapica CL F (Quedjido) 7  
50016 Zaragoza - Spain

**Date of application:** 2009-09-21

**Manufacturer of the test sample:** LUEZAR-ECO, S.L.  
Pol Mapica C/F Oeste, Grupo Quedjido, nave 69  
50016 Zaragoza - Spain

**Product:** Overspeed governor

**Type:** SLC LF 18 CD

**Test laboratory:** TÜV SÜD Industrie Service GmbH  
Prüflaboratorium für Produkte der Fördertechnik  
Prüfbereich Aufzüge und Sicherheitsbauteile  
Westendstr. 199  
80686 München - Germany

**Date and  
number of the test report:** 2011-10-24  
AGB 232/1

**EC-Directive:** 95 / 16 / EC

**Result:** The safety component conforms to the essential safety requirements of the Directive for the respective scope of application stated on page 1 of the annex to this EC type-examination certificate.

**Date of issue:** 2011-10-26

Certification body for lifts and safety components  
Identification number: 0036

*C. Rührmeyer*  
Christian Rührmeyer





**Annex to the EC type-examination certificate  
no. AGB 232/1 dated 2011-10-26**

<b>1</b>	<b>Scope of application</b>	
1.1	Permissible tripping speed	0.43 - 3.27 m/s
1.2	Permissible rated speed	≤ 2.84 m/s
1.3	Drive	
	➤ Kind	Toothed belt
	➤ Type	RPU 8 M10
	➤ Width x height	10.00 x 5.40 mm
	➤ Tooth height	3.20 mm
	➤ Tooth distance	8.00 mm
	➤ Tensile strength	5415 N
	➤ Maximum permissible length of belt	80.00 m
1.4	Tooth wheel	
	➤ Material	Bergamid
	➤ Diameter	180 mm
1.5	Permissible tensioning weight (The tensioning force refers to operating state only and there is no relating to point 1.6)	14 - 16 kg
1.6	Tension force in the tooth belt after activating (see remarks point 3.2)	450 - 500 N
1.7	Arrangement	Pit, headroom or guide rail
<b>2</b>	<b>Conditions</b>	
2.1	The adjusted tripping speed and the safety switch must be sealed against unauthorised adjustment (safety switch, for example by colour sealing of the fastening screws and only if switching off is required prior to achieving the tripping speed).	
2.2	The overspeed governor can be used in cooperation with instantaneous safety gears, progressive safety gears or progressive safety gear acting upward as well as combined systems (progressive safety gear in up and instantaneous safety gear in down direction) according manufacturer's instructions.	
2.3	It must be possible to test the engaging force at the operating place of the lift.	
<b>3</b>	<b>Remarks</b>	
3.1	Retraction of the safety gear in both direction of rotation is permissible.	
3.2	The force produced by the friction clutch will adjust by the manufacturer and is not adjustable at the operating place of the lift.	
3.3	Design in narrow and wide version, with and without pre switch off including electrical resetting device, lowering protection and remote release is possible.	
3.4	In order to provide identification and information about the basic design and its functioning drawing no. PG.LF18CD.00E with certification stamp dated 2011-10-26 is to be enclosed with the EC type-examination certificate and the annex thereto.	
3.5	The EC type-examination certificate may only be used in connection with the pertinent annex and the list of the authorized manufacturers (according to enclosure). This enclosure shall be updated and re-edited following information of the certificate holder.	

Note: The English text is a translation of the German original. In case of any discrepancy, the German version is valid only.



Industrie Service

**Enclosure of EC type-examination certificate  
No. AGB 232/1 dated 2011-10-26**

**Authorised manufacturer – Production sites (Stated: 2011-10-26):**

**LUEZAR-ECO, S.L.**

Pol Mapica C/F Oeste, Grupo Quedjido, nave 69  
50016 Zaragoza - Spain

- END OF DOCUMENT -

Base: Request as E-mail by SLC - SCHLOSSER LUEZAR & CVR S.L. dated 2010-05-07

### 1°) SLC- LF 18 CD OVERSPEED GOVERNOR

The SLC LF18CD overspeed governor is certified under the directive 95/16/EC on lifts.  
 -LF18 CD overspeed governor is been instaled in the elevator shaft, it can be placed on the top or on the botton.  
 -A rope fixed to the car act the overspeed governor.  
 -It performs both upward and downward.  
 -His functioning is of centrifugal masses.  
 -Activate mechanically the safety gears.

General description SLC LF18 CD  
 General assembly instructions LF18 CD  
 Periodic control SLC LF18 CD

DG.LF18CD.00E  
 MM.LF18CD.00E  
 CP.LF18CD.00E

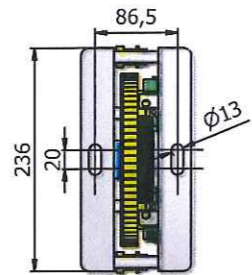


### 2°) OVERSPEED GOVERNOR SLC-LF18 CD ASSEMBLY

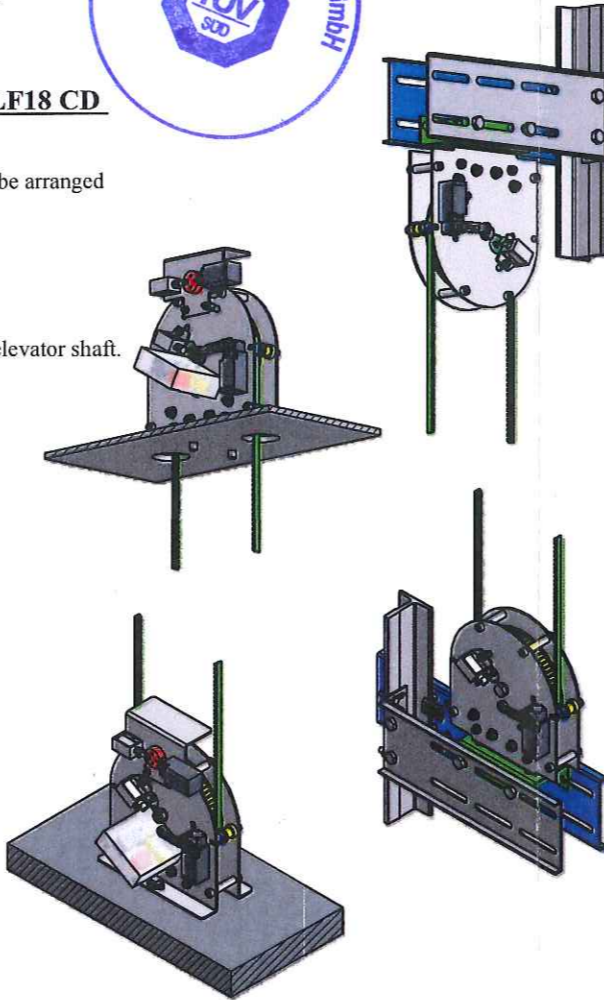
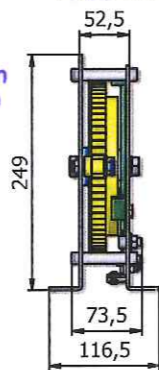
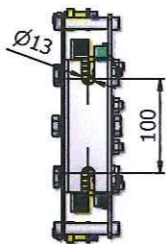
Depending on the tipe of chassis and hollow, it can be arranged the following configurations:

- External SLC-LF18 CDE
- Internal SLC-LF18 CDI
- It may be placed at slab or guide support.
- It may be placed supported/hung.
- It may be placed on the top or botton part of the elevator shaft.

CAE (estandar)

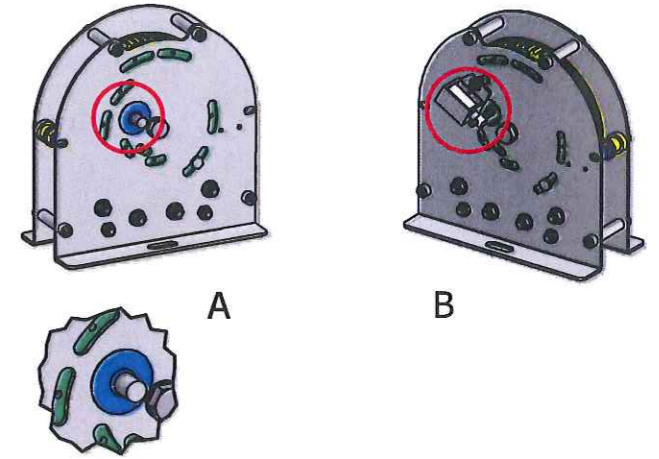


CAI



### 5°) OVERSPEED GOVERNOR ACTUATING

The overspeed governor SLC-LF 18 CD include an actuating system according to 9.9.9 EN81, it causes the opening of the centrifugal masses and the interlockin of the governor.  
 This system may be:  
 A) Manual actuating.  
 B) Remote actuating.



### 6°) ELECTRICAL CONTROL

In conformity whith the paragraph 9.9.11.1 EN-81 the overspeed governor, or another device, they must order the stop of the machine, for an electrical device of safety:

For  $V_n \leq 1$  m/s it must operate as late as at the time that triggers the overspeed governor. The electrical switch performs that function to act the steering linkage. Optionally is available to include overspeed switch too.

For  $V_n > 1$  m/s it must operate before it reaches the speed of shot of the governor. The device that performs this function is called overspeed switch kit consist of:

- A mechanical system.
- Electrical safety switch according to the standard 14.1.2 En-81.
- Remote reset solenoid of the electrical safety switch. (Optional).

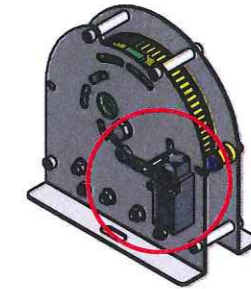
According to the chassis, it can be arranged in the following options:

- On the locking disk.
- On the governor support.
- Radial o tangencial direction.

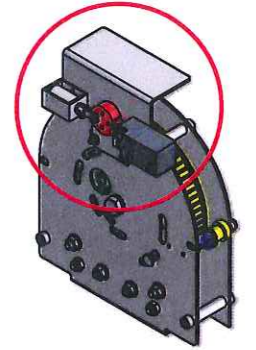
Description  
 Instructions  
 General drawing  
 Drawings of implementation examples

DG.CSLIM.04S  
 MM.CSLIM.04S  
 PG.CSLIM.04S  
 PD.CSLIM.04S

Electrical switch

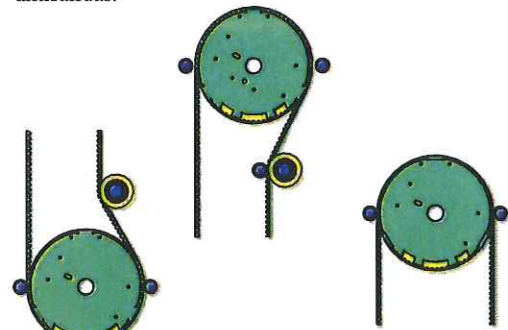


Overspeed switch



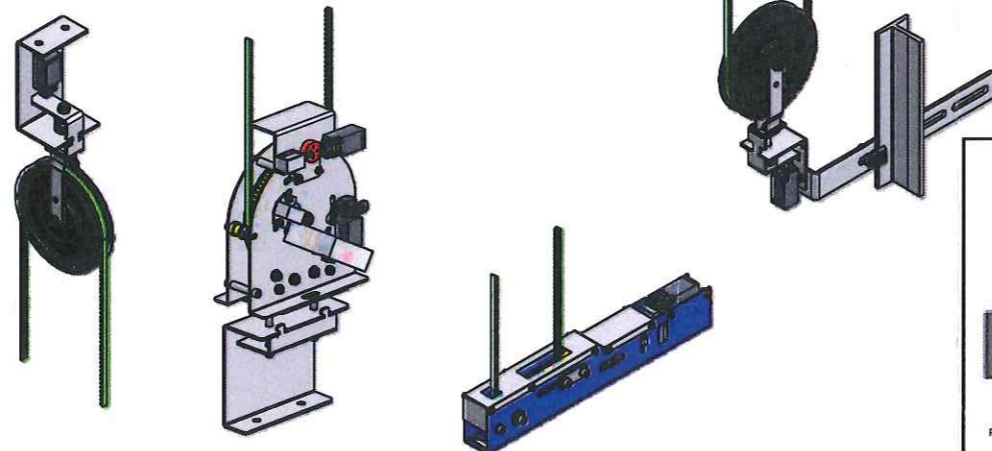
### 3°) BELT ARRANGEMENT

- It must arrange a minimum of 12 meshed.
- You can use guide pulleys of minimal diameter 50mm to drive the pulley trough the car lift and avoid the accidental exit of the belt.
- To perform as antisalida, it can provide caps or safety antisalidas.



### 4°) BELT TENSIONERS

- The tensing system provokes a controlled strain in the belt and allows the control of the stretching/breakage of the belt by a safety switch, a spring and mechanical caps.
- The tensioner can be arranged directly at slab or to the guide.
- You can set vertical and horizontal position.



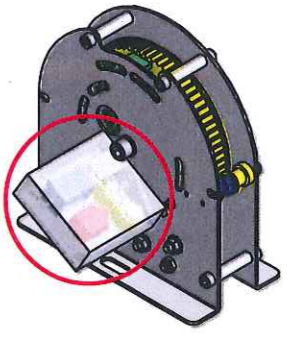
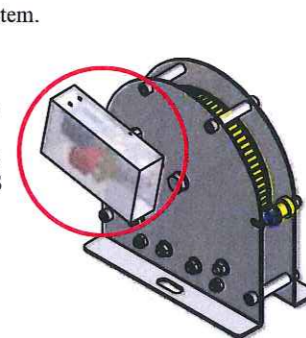
### 7°) ANTI-SLIDING PROTECTION

Optionally, the overspeed governor SLC-LF 18 CD can include an anti-sliding protection system and allows the safety gear performance when there is an uncontrolled movement not ordered by the car lift maneuver. As result, the locking is produced. The system performs en both movement directions (upward and downward).

On the governor SLC-LF18CD it can operate AD-10 system.

AD 10 System  
 Description  
 Instructions  
 General drawing  
 Drafts of implementation examples

DG.AD10.04S  
 MM.AD10.04S  
 PG.AD10.04S  
 PD.AD10V.04S  
 PD.AD10H.04S

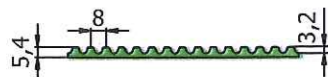


26. Okt. 2011

- GEPRÜFT -

TÜV SÜD Industrie Service GmbH  
 Zentralbereich Fördertechnik-Sonderbauten  
 Abteilung Aufzüge und Sicherheitsbauteile  
 Westendstr. 199, D-80686 München  
 Der Sachverständige

TIMING BELT  
 Type RPU 8 M10  
 Tensile strength  $\geq 5415$  N



<p>Polygono malpica C/F oeste nave nº7 50016 Zaragoza-Spain</p>	Tolerancia: General tolerance: Freimaßtoleranz:	Revisión: Revision: Änderung: 0	Aplicación: Field of application: Verwendungsbereich:				
	Superficie: Surface: Oberfläche:	Fecha / Date / Datum:	Nombre / Name / Name	Overspeed governor SLC LF18CD			
	Escala: Scale: Maßstab:	Revisado: Checked: Geprüft:	16/06/2011		I+D		
	Formato: Size: Papierformat:	Revisado: Checked: Geprüft:	16/06/2011		Producción		
SE	A3	Revisado: Checked: Geprüft:	16/06/2011	Comercial	Dibujo número: Drawing nº: Zeichnung nº:	PG.LF18CD.00E	