

# EC TYPE-EXAMINATION CERTIFICATE

Acting under the Warenwetbesluit liften issued by Liftinstituut B.V.  
identification number Notified Body 0400,  
commissioned by Besluit no. 2014-0000003574 of January 10<sup>th</sup>, 2014

Certificate nr. : NL15-400-1002-142-06 Revision nr.:

Description of the product : Energy accumulation buffers with nonlinear characteristics

Trademark, type : ETN, EN 17

Name and address of the manufacturer : Pleiger Kunststoff GmbH & Co. KG  
Im Hammertal 51  
D-58456 Witten, Germany

Name and address of the certificate holder : Elastomer Technik Nürnberg GmbH  
An der Kaufleite 20  
D-90562 Kalchreuth, Germany

Certificate issued on the following requirements : Lifts Directive 95/16/EC

Certificate based on the following standards : EN 81-20:2014 Clause 5.8  
EN 81-50:2014 Clause 5.5

Test laboratory : Liftinstituut, Alphen aan den Rijn

Date and number of the laboratory report : August 31<sup>st</sup>, 2015, Test report belonging to the EC type-examination certificate nr.: NL15-400-1002-142-06

Date of EC type-examination : January 2015 – August 2015

Additional documents with this certificate : Report belonging to the EC type-examination certificate nr.: NL15-400-1002-142-06

Additional remarks : Dimensions Ø125 x 204 mm  
Load range 450 – 1800 kg  
Maximum nominal speed 1.0 m/s

Conclusion : The safety component meets the requirements of the Lifts Directive 95/16/EC taking into account any additional remarks mentioned above.

Issued in Amsterdam

Date of issue : 31-08-2015

Valid until : 31-08-2020

  
ing. A.J. van Ommen  
Manager Business Unit  
Certification

  
Certification decision by

## Report EC type-examination

Report belonging to EC type-examination certificate no.	: NL15-400-1002-142-06
Date of issue of original certificate	: August 31 <sup>st</sup> , 2015
Concerns	: Safety component
No. and date of revision	: -
Requirements	: Lifts Directive 95/16/EC Standards: EN 81-20:2014 Clause 5.8 EN 81-50:2014 Clause 5.5
Project no.	: P150112-01

### 1. General specifications

Name and address manufacturer	: Pleiger Kunststoff GmbH & Co. KG Im Hammertal 51 D-58456 Witten, Germany
Description of safety component	: Energy accumulation buffers with nonlinear characteristics
Type	: EN 17
Laboratory	: Liftinstituut, Alphen aan den Rijn
Date / Data of examination	: January 2015 – August 2015
Examination performed by	: R.E. Kaspersma, A. van den Burg

### 2. Description safety component

The Energy accumulation buffers with nonlinear characteristics EN17 from ETN is produced by Pleiger Kunststoff are made of Polyurethane. The buffer tested is a buffer with a height of 204 mm and a diameter of 125 mm. The buffer has a conical shape and is made of two type of materials. The data plate information is provided on a ring fixed into the groove of the buffer.

### 3. Examinations and tests

The examination covered a check whether compliance with the Lift Directive 95/16/EC is met, if possible based on the harmonized product standards EN 81-20 clause 5.8 and EN 81-50 clause 5.5.

The examination included:

- Examination of the technical file (See annex 2):
- Examination of the representative model in order to establish conformity with the technical file.
- Free fall tests to check compliance with the requirements.
- A static compression curve

## 4. Results

After the final examination the product and the technical file were found in accordance with the requirements. The functional tests passed without remarks. The load tests passed without remarks and did not lead to permanent deformations or loss of stability.

For detailed test results see Test report belonging to EC type-examination certificate no. : NL15-400-1002-142-06

## 5. Conditions

On the EC type-examination certificate the following conditions apply:

- |  |               |
|--|---------------|
| - Load range for a rated speed of 1.0 m/s: | 450 – 1800 kg |
| - Temperature range material:              | -40°C – 80°C  |
| - Nominal temperature range:               | +5°C – 40 °C  |
| - Humidity range                           | 0% - 70%      |
| - Minimum life time                        | 5 years       |

## 6. Conclusions

Based upon the results of the EC type-examination Liftinstituut B.V. issues an EC type-examination certificate.

The EC type-examination certificate is only valid for products which are in conformity with the same specifications as the type certified product. The EC type-examination certificate is issued based on the requirements that are valid at the date of issue. In case of changes of the product specifications, changes in the requirements or changes in the state of the art the certificate holder shall request Liftinstituut B.V. to reconsider the validity of the EC type-examination certificate.



## 7. CE marking and EC Declaration of conformity

Every safety component that is placed on the market in complete conformity with the examined type must be provided with a CE marking according to annex III of the Directive under consideration that conformity with eventually other applicable Directives is proven. Also every safety component must be accompanied by an EC declaration of conformity according to annex II of the Directive in which the name, address and Notified Body identification number of Liftinstituut B.V. must be included as well as the number of the EC type-examination certificate.

An EC type-certified safety component shall be random checked according to annex XI of the Lift directive 95/16/EC before these safety components may be CE-marked and may be placed on the market. For further information see regulation 2.0.1 'Regulations for product certification' on [www.liftinstituut.com](http://www.liftinstituut.com).

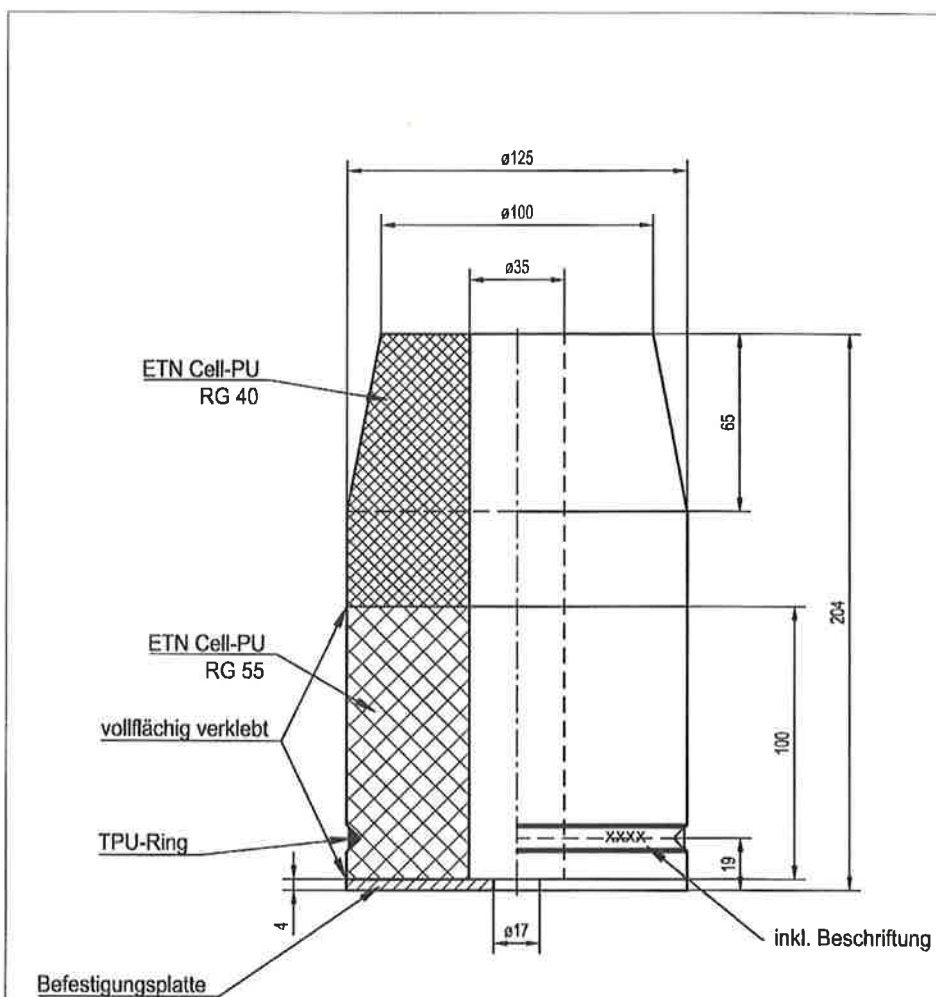
Prepared by:

R.E. Kaspersma  
Productspecialist Certificatie  
Liftinstituut B.V.

Certification decision by:

## Annexes

### Annex 1 : Basic lay-out



Elastomer-Technik Nürnberg GmbH An der Kaufleite 20 D-90562 Kalchreuth			Maßstab 1 : 2	
			Artikel-Nr. 320217	
		Datum	Name	<b>Aufsetzpuffer EN17</b> <b>ø 125 x 200 mm</b>
		Bearb.	20.04.2015 Landkammer	
		Gepr.		
		Norm		
		Toleranzklasse ISO 2768-m		Blatt
		Nicht bemaßte Kanten -0,5 x 45°		Blätter
Zust.	Änderung	Datum	Name	Ersatz für:
			Ursprung	Ersatz durch:



**Annex 2 : Documents of the Technical File which were subject of the examination**

title	document number	date
User Manual	-	07-03-2008
Drawing	15-056	20-04-2015
Pleiger Statement		12-08-2015

**Annex 3 : Revision overview**

**REVISIONS OF THE CERTIFICATE**

Rev.:	Date	Summary of revision
-	August 31 <sup>st</sup> , 2015	Original

**REVISIONS OF THE REPORT, BELONGING TO THE CERTIFICATE**

Rev.:	Date	Summary of revision
-	August 31 <sup>st</sup> , 2015	Original