

# EU-TYPE EXAMINATION CERTIFICATE

Issued by Liftinstituut B.V.  
identification number Notified Body 0400,  
commissioned by Decree no. 2016-0000038870

Certificate no. : NL16-400-1002-075-04      Revision no.: 1

Description of the product : Door locking device for automatic horizontal sliding landing doors

Trademark, type : Tecnolama S.A, 160/10/40

Door models where this locking device can be used : Compact

Name and address of the manufacturer : Tecnolama S.A.  
Ctra. Constantí km.3  
43026 Reus, Spain  
A list of manufacturers is set in chapter 1 of the belonging report

Name and address of the certificate holder : Tecnolama S.A.  
Ctra. Constantí km.3  
43026 Reus, Spain

Certificate issued on the following requirements : Lifts Directive 2014/33/EU

Certificate based on the following standard : Parts of: EN81-1/2:1998+A3:2009, EN81-20:2014, EN81-50:2014

Test laboratory : None

Date and number of the laboratory report : None

Date of EU-type examination : April – July 2016, November 2017

Additional document with this certificate : Report belonging to the EU-type examination certificate no.: NL16-400-1002-075-04REV.1

Additional remarks : See chapter 5 of the report belonging to this EU-type examination certificate for additional conditions.

Conclusion : The safety component meets the requirements of the Lifts Directive 2014/33/EU taking into account any additional remarks mentioned above.

Amsterdam

Date : 14-11-2017  
Valid until : 21-07-2021

  
ing. P.J. Peeters  
Manager

  
Certification decision by

## Report EU-type examination

Report belonging to EU-type examination certificate no. : NL16-400-1002-075-04  
Date of issue of original certificate : 21-07-2016  
Concerns : Safety component  
No. and date of revision : 1; 14-11-2017  
Requirements : Lifts Directive 2014/33/EU  
Standards: EN81-1/2:1998+A3:2009,  
EN81-20:2014, EN81-50:2014  
Project no. : P160163-01, P170340

### 1. General specifications

Name and address manufacturers : **Tecnolama, S.A.**  
Ctra. Constantí km.3  
43206 Reus, Spain

**Doors Movement Technology S.L.**  
Pol. Ind. Sort dels Capellans,  
parcel.la 19. 43730 Falset, Spain

**Tecnidoors S.p.A.**  
Via M. Ferrari 5 / 7  
28012 Cressa (Novara)  
P. IVA: IT 02184530026, Italy

**Enginova Sp. z o.o.**  
ul. Wschodnia 11  
99-300 Kutno, Poland

**Tecno Doors Pvt. Ltd.**  
Plot No. L-1  
SIPCOT Ind. Park Sriperumbudur  
Mambakkam & Pondur "A" Village  
Sriperumbudur Taluk, Kancheepuram Dist.  
(Tamil Nadu) 602106, India

**Ningbo Arttec Co. Ltd.**  
Ningbo European Ind. Park  
First seashore road Hangzhou Bay New Zone  
P.C 315336 Cixi City Zhejiang, China

Description of safety component : Door locking device for automatic  
horizontal sliding landing doors  
Type : 160/10/40

Door models where this locking device can be used : Compact  
 Test location : Tecnolama, S.A.  
 Ctra. Constantí km.3  
 43206 Reus, Spain  
 Data of examination : May – July 2016, November 2017  
 Examination performed by : W. Visser

## 2. Description safety component

The door locking device 160/10/40 consist of two parts, the locking housing and the locking hook. The door locking device can be used on Compact doors. These are 2 panel side opening automatic horizontal sliding landing doors (T2) and 2 panel centre parting automatic horizontal sliding landing doors (C2).

The locking takes place by a hook mounted on the door panel. The housing is mounted on the door rail. Also is it possible to open the lock by means of a triangular key according to the requirements of the mentioned standards.

Different safety contacts can be used:

### CONTACT #1

Manufacturer	Fermator
Contact type	TC000419 + TC000397
U <sub>e</sub> / I <sub>e</sub>	230 VAC / 1 A AC or 200 VDC / 1 A DC

### CONTACT #2

Manufacturer	Suns
Contact type	EDC 61 + DCA F# or DCA S
U <sub>e</sub> / I <sub>e</sub>	230 VAC / 1 A AC or 200 VDC / 1 A DC

### CONTACT #3

Manufacturer	Suns
Contact type	EDC 92 + DCA F# or DCA S
U <sub>e</sub> / I <sub>e</sub>	230 VAC / 2 A AC or 200 VDC / 2 A DC

## 3. Examinations and tests

The examination covered a check whether compliance with the Lifts Directive 2014/33/EU is met, based on the harmonized product standards EN81-1/2, EN81-20 and EN81-50.

The examination included:

- Examination of the technical file (See annex 2):
- Examination of the representative model in order to establish conformity with the technical file.
- Verification of the required tests which are performed by manufacturer.

- Inspections and tests to check compliance with the requirements.

The tests which are performed are as stated in annex F1 of the EN 81-1/2 and clause 5.2 of EN81-50. These tests have been performed by the manufacturer at their test location in the Tecnomama premises Reus, Spain.

Some tests are repeated with Liftinstituut present, in order to validate the correctness of testing and test equipment.

The electrical safety contacts that can be used are also tested at Tecnomama test location or by the specific manufacturer. Test reports are verified by Liftinstituut. Some tests are repeated with Liftinstituut present, in order to validate the correctness of testing and test equipment.

Tecnomama S.A. and the other factories mentioned in chapter 1 of this report have a certificate of the quality assurance system, according Lifts Directive 2014/33/EU, annex VII module H. The scope of this certificate is designing, manufacturing, performing final inspection and tests of locking devices for landing doors. Therefore all mentioned factories can perform the tests mentioned in clause 5.2 of EN 81-50 themselves.

## 4. Results

After the final examination the product and the technical file were found in accordance with the requirements. The functional tests passed without remarks. The load tests passed without remarks.

## 5. Conditions

- The door lock shall be used for horizontal power operated sliding landing doors only.
- Locking distance before making contact must be at least 7 mm
- The maintenance and installation instructions shall be provided with the lift.
- The position of the unlocking triangle shall be according to clause 5.3.9.3.2 of EN81-20.
- Maximum door dimensions according to table in Annex 1c.

## 6. Conclusions

Based upon the results of the EU-type examination Liftinstituut B.V. issues an EU-type examination certificate.



The EU-type examination certificate is only valid for products which are in conformity with the same specifications as the type certified product. The certificate is issued based on the requirements that are valid at the date of issue. In case of changes of the product specifications, changes in the requirements or changes in the state of the art the certificate holder shall request Liftinstituut B.V. to reconsider the validity of the certificate.

## 7. CE marking and EU Declaration of conformity

Every safety component that is placed on the market in complete conformity with the examined type must be provided with a CE marking according to article 18 of the Lifts Directive 2014/33/EU under consideration that conformity with eventually other applicable Directives is proven. Also every safety component must be accompanied by an EU declaration of conformity according to annex II of the Directive in which the name, address and Notified Body identification number of Liftinstituut B.V. must be included as well as the number of the EU-type examination certificate.

An EU type-certified safety component shall be subject to the conformity assessment procedure, before these safety components may be CE-marked and may be placed on the market. This random check can be performed by any of the factories mentioned in chapter 1 of this report. The CE marking on the locking device shall be followed by the identification number of the Notified Body involved in certification of the manufacturers full quality assurance, according to Annex VII, module H.

Prepared by:

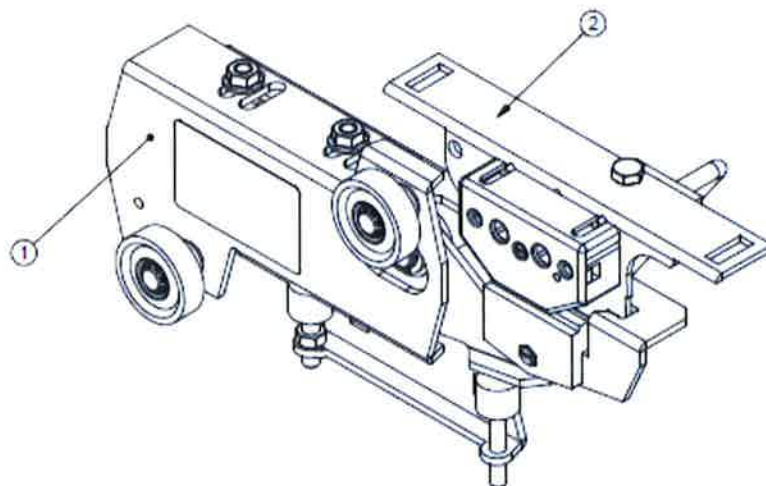
Certification decision by:



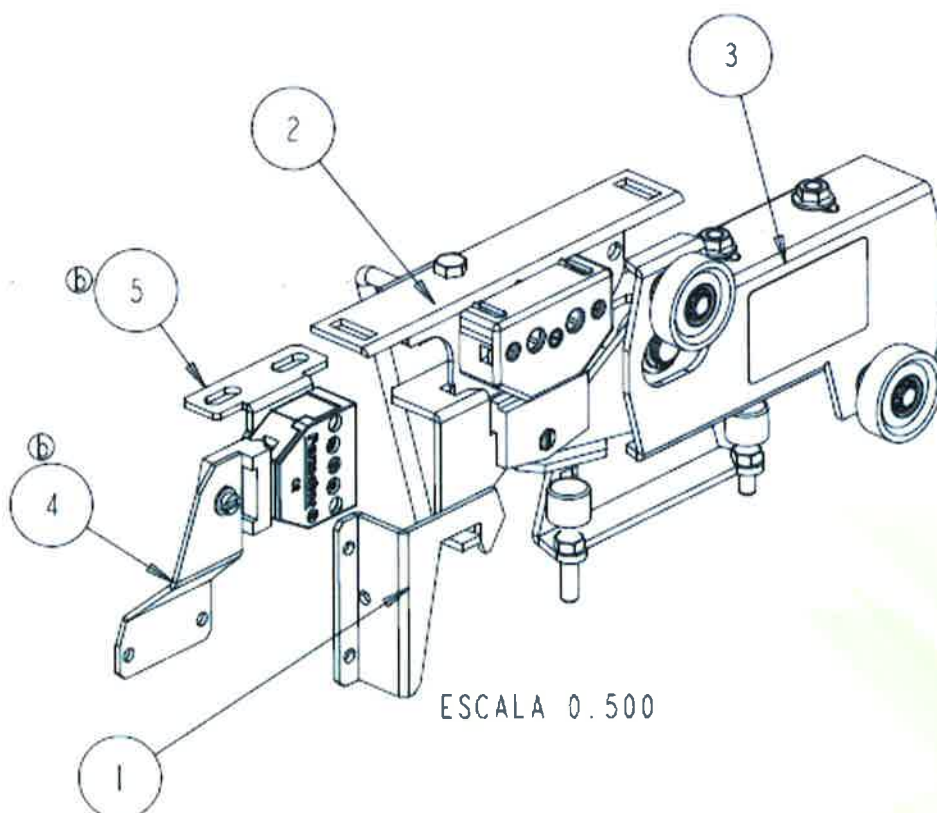
*W. Visser*  
Product Specialist Certification  
Liftinstituut B.V.

## Annexes

Annex 1a 160/10/40 T2



Annex 1b 160/10/40 C2





## Annex 1c Door dimensions

Type	Models	Description	Subtype	Clear opening	Clear Height
160/10/40	-	-	PRC2 PRD2 / PRI2	600-1100 600-1100	2000-2500 2000-2500

## Annex 2 Documents of the Technical File which were subject of the examination

title	document number	date
Manual 160/10/40 C2	MMCO000C2000DM	03-2016
Manual 160/10/40 T2	MMCO000T2000DM	03-2016
C2	Drw. 011161	10-04-2012
T2	Drw. 011689	10-04-2012
Test report	09.112.01-0.0	27-10-2009
Summary test report	14CHFDMT01	17-02-2015
SUNS EDC series	Version 2017	13-11-2017

## Annex 3. Reviewed deviations from the standards

EN xx-x par.	Requirement	Accepted design
x.x.x		

## Annex 4 Revision overview

### REVISIONS OF THE CERTIFICATE AND THE REPORT

Rev.:	Date	Summary of revision
-	21-07-2016	Original
1	14-11-2017	Added SUNS EDC-92 safety contact