

Zertifikat - Certificate

Nr.: TÜV-A-AT-1/08/ 148 FKTV

TÜV
AUSTRIA

Baumusterprüfbescheinigung
Certificate of-type examination

Name der zugelassenen Stelle
Name of the approved body

TÜV AUSTRIA SERVICES GMBH
Krugerstraße 16
A-1015 Wien
ID-NR.: 0408

Nummer der Baumusterprüfung
Type-examination No

TÜV-A-AT-1/08/ 148 FKTV

1. Art, Kategorie, Typ und Fabrik- oder Handelsmarke
Category, type and make or trade name

Verriegelungseinrichtung für waagrecht bewegte Schacht-Schiebetüren: **AMDC2-R6**
Locking device for horizontally sliding landing doors

2. Name und Anschrift des Herstellers
Manufacturer's name and address

WITTUR GMBH
Sowitschstrasse 1
A-3270 Scheibbs
AUSTRIA

WITTUR ELEVATOR COMPONENTS, S.A.
Poligono Ind. Malpica, Calle E - n° 8
E-50016 Zaragoza
SPAIN

WITTUR ELEVATOR COMPONENTS
(SUZHOU) CO., LTD.
No. 18 Shexing Road
Beishe Township
Wujiang
Jiangsu Province
CHINA 215214

WITTUR LTDA.
Rodovia Celso Garcia Cid, 1406
Jardim Ana Elisa
86188-000 Cambe – PR
BRASIL

WITTUR S.P.A.
Via Macedonio Melloni, 12,
I-43052 Colorno (PR)
ITALY

WITTUR ASANSÖR SANAYI VE
TICARET LTD. SİRKETİ
Dudullu Organize Sanayi
Bölgesi No:13
Ümraniye
TR 34776 Istanbul
TURKEY

WITTUR PTY. LTD.
9 Squill Place
Arndell Park
NSW 2148
AUSTRALIA

SOIMET SAICI
Av. Belgrano 2445,
(B1872FVD) Sarandí –Pcia. de Buenos Aires
ARGENTINA

Auszugsweise Vervielfältigung nur mit Genehmigung des TÜV AUSTRIA SERVICES GMBH gestattet
Duplication of this document in parts is subject to the approval by TÜV AUSTRIA SERVICES GMBH

TÜV AUSTRIA SERVICES GMBH
A-1015 Wien, Krugerstraße 16
<http://www.tuv.at>

Aufzugstechnik
Tel.: +43 / 1 / 3324281
Fax: +43 / 1 / 3324281/6905
e-mail: at@tuvat



Nr.: TÜV-A-AT-1/08/ 148 FKTV

TÜV
AUSTRIA

3. Name und Anschrift des Inhabers der Bescheinigung
Name and address of certificate holder

WITTUR HOLDING GMBH
Rohrbachstrasse 26-30
D-85259 Wiedenzhausen
GERMANY

4. Zur EG-Baumusterprüfung vorgelegt am
Date of submission for EC type examination

16.12.2006

5. Aufgrund folgender Vorschrift ausgestellte Bescheinigung
Certificate issued on the basis of the following requirement:

EN81-1:1998-08

6. Prüfstelle
Test laboratory

TÜV AUSTRIA SERVICES GMBH
Krugerstraße 16
A-1015 Wien

7. Datum und Nummer des Prüfprotokolls
Date and number of laboratory report

29.10.2008 2007-AT-EP/0018

8. Datum der Baumusterprüfung
Date of type-examination

29.10.2008

9. Als Anlagen sind folgende mit der oben angegebenen Baumusterprüfungsnummer gekennzeichneten Unterlagen beigelegt
The following documents, bearing the type- examination number shown above are annexed to this certificate

- Kabinentürantrieb seitlich öffnend
AMDC 2/Railing 6/Drive 1.5 od. MIDI
Zeichnungs-Nr.:902872 Issue - Datum 14.11.2007
- Kabinentürkontakt komplett - Schloss
side opening type – R6
Zeichnungs-Nr.902083 Issue B Datum 17.11.2004

Auszugsweise Vervielfältigung nur mit Genehmigung der TÜVAUSTRIA SERVICES GMBH gestattet
The duplication of this document in parts is subject to the approval by TÜV AUSTRIA SERVICES GMBH

10. Zusätzliche Angaben
Additional information

10.1 Art und Verwendungsbereich des Türverschlusses
Type and scope of use of the door locking device

Verriegelungseinrichtung, Typ AMDC2-R6, mit Hakenriegel für waagrecht bewegte, einseitig öffnende, zweiblättrige Fahrkorb-Schiebetüren mit maschineller Betätigung.
Door locking device type AMDC2-R6 with lock hook for horizontally moving, side opening, two panel, power operated car sliding door.

10.2 Zulässige Türabmessungen
Allowed door measurements

lichte Türbreite <i>door width</i>	lichte Türhöhe <i>door height</i>	max. Masse eines Türblattes <i>max. mass single door panel</i>
800 mm - 900 mm	1900 - 2100 mm	40 kg

10.3 Nennwerte der elektrischen Sicherheitseinrichtungen
Nominal value of the electrical safety components

Wechselstrom 230 V/ 2A
Alternating current

10.4 Diese Bescheinigung darf nur im ganzen und mit den Unterlagen nach Punkt 9 verbreitet werden.
It is only allowed to spread this certificate complete and with the documents mentioned in point 9

10.5 Diese Bescheinigung entspricht aus rechtlichen Gründen keiner EG-Baumusterprüfbescheinigung gemäß Anhang V Abschnitt A (EG-Baumusterprüfung für Sicherheitsbauteile) der Richtlinie 95/16/EG.
This certificate is not an EC-type-examination according to annex V par. A (EC-type-examination for safety components) of directive 95/16/EC.

10.6 Abweichend von den Angaben in der Zeichnungs-Nr.:902872 darf auch ein anderer Türantrieb als Drive 1.5 oder MIDI verwendet werden.
In deviation to the declarations of drawing no.:902872 it is also allowed to use another door drive than Drive 1.5 or MIDI.

30.10.2008
Datum
date

Dipl.-Ing. Jung
Prüfstelle
examining department



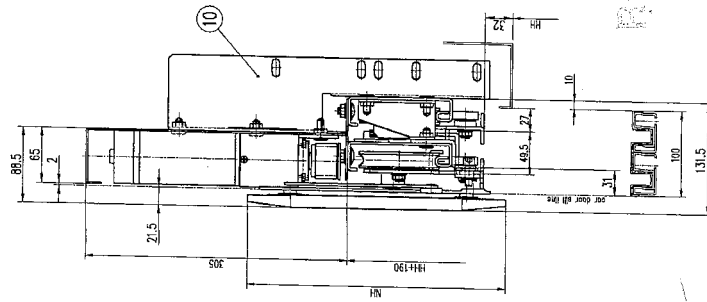
[Signature]
Ing. A. Marschall
Zertifizierungsstelle
certifying department

30.10.2018
Gültig bis
valid till

Auszugsweise Vervielfältigung nur mit Genehmigung der TÜVAUSTRIA SERVICES GMBH gestattet
The duplication of this document in parts is subject to the approval by TÜV AUSTRIA SERVICES GMBH

G01

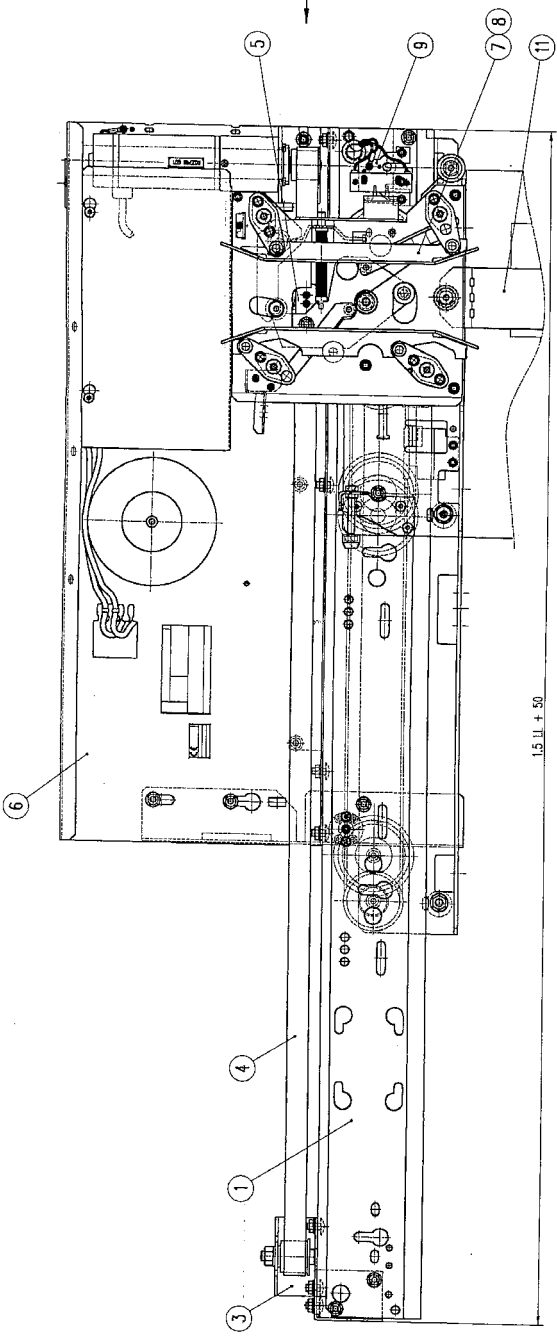
Ansicht A
view A



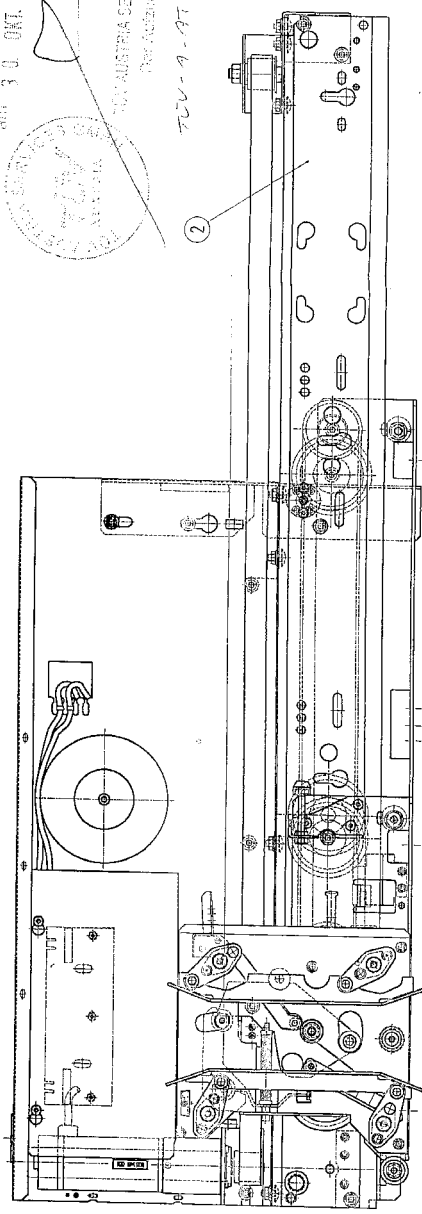
Beipack: (12) (13)
part load:

Registrierte
Marke

ORIGINAL



G02



3 1. OVI. 2008

30. AUSTRIA SERVICES GMBH
New Address: ...

TEU-9-AT-11081 16/07/10

11	113	VAR	PANEL ADAPTER	Weight	1.2	AMDC 2 left
11	112	VAR	OPERATING INSTRUCTION	Weight	0.1	AMDC 2 right
11	111	VAR	PANEL SUPPORT	Weight	0.1	AMDC 2 left
11	110	VAR	CAR DOOR BRACKET	Weight	0.1	AMDC 2 right
11	109	VAR	DOOR CONTACT COMPL.	Weight	0.1	AMDC 2 left
11	108	VAR	DOOR CONTACT COMPL.	Weight	0.1	AMDC 2 right
11	107	VAR	EMERGENCY OPENING DEVICE	Weight	0.1	AMDC 2 left
11	106	VAR	COUPLER / LOCK	Weight	0.1	AMDC 2 right
11	105	VAR	Key ramp	Weight	0.1	AMDC 2 left
11	104	VAR	Lock bolt	Weight	0.1	AMDC 2 right
11	103	VAR	direction puller for belt	Weight	0.1	AMDC 2 left
11	102	VAR	car door roller	Weight	0.1	AMDC 2 right
11	101	VAR	car door roller	Weight	0.1	AMDC 2 left
11	100	VAR	car door roller	Weight	0.1	AMDC 2 right
11	99	VAR	car door roller	Weight	0.1	AMDC 2 left
11	98	VAR	car door roller	Weight	0.1	AMDC 2 right
11	97	VAR	car door roller	Weight	0.1	AMDC 2 left
11	96	VAR	car door roller	Weight	0.1	AMDC 2 right
11	95	VAR	car door roller	Weight	0.1	AMDC 2 left
11	94	VAR	car door roller	Weight	0.1	AMDC 2 right
11	93	VAR	car door roller	Weight	0.1	AMDC 2 left
11	92	VAR	car door roller	Weight	0.1	AMDC 2 right
11	91	VAR	car door roller	Weight	0.1	AMDC 2 left
11	90	VAR	car door roller	Weight	0.1	AMDC 2 right
11	89	VAR	car door roller	Weight	0.1	AMDC 2 left
11	88	VAR	car door roller	Weight	0.1	AMDC 2 right
11	87	VAR	car door roller	Weight	0.1	AMDC 2 left
11	86	VAR	car door roller	Weight	0.1	AMDC 2 right
11	85	VAR	car door roller	Weight	0.1	AMDC 2 left
11	84	VAR	car door roller	Weight	0.1	AMDC 2 right
11	83	VAR	car door roller	Weight	0.1	AMDC 2 left
11	82	VAR	car door roller	Weight	0.1	AMDC 2 right
11	81	VAR	car door roller	Weight	0.1	AMDC 2 left
11	80	VAR	car door roller	Weight	0.1	AMDC 2 right
11	79	VAR	car door roller	Weight	0.1	AMDC 2 left
11	78	VAR	car door roller	Weight	0.1	AMDC 2 right
11	77	VAR	car door roller	Weight	0.1	AMDC 2 left
11	76	VAR	car door roller	Weight	0.1	AMDC 2 right
11	75	VAR	car door roller	Weight	0.1	AMDC 2 left
11	74	VAR	car door roller	Weight	0.1	AMDC 2 right
11	73	VAR	car door roller	Weight	0.1	AMDC 2 left
11	72	VAR	car door roller	Weight	0.1	AMDC 2 right
11	71	VAR	car door roller	Weight	0.1	AMDC 2 left
11	70	VAR	car door roller	Weight	0.1	AMDC 2 right
11	69	VAR	car door roller	Weight	0.1	AMDC 2 left
11	68	VAR	car door roller	Weight	0.1	AMDC 2 right
11	67	VAR	car door roller	Weight	0.1	AMDC 2 left
11	66	VAR	car door roller	Weight	0.1	AMDC 2 right
11	65	VAR	car door roller	Weight	0.1	AMDC 2 left
11	64	VAR	car door roller	Weight	0.1	AMDC 2 right
11	63	VAR	car door roller	Weight	0.1	AMDC 2 left
11	62	VAR	car door roller	Weight	0.1	AMDC 2 right
11	61	VAR	car door roller	Weight	0.1	AMDC 2 left
11	60	VAR	car door roller	Weight	0.1	AMDC 2 right
11	59	VAR	car door roller	Weight	0.1	AMDC 2 left
11	58	VAR	car door roller	Weight	0.1	AMDC 2 right
11	57	VAR	car door roller	Weight	0.1	AMDC 2 left
11	56	VAR	car door roller	Weight	0.1	AMDC 2 right
11	55	VAR	car door roller	Weight	0.1	AMDC 2 left
11	54	VAR	car door roller	Weight	0.1	AMDC 2 right
11	53	VAR	car door roller	Weight	0.1	AMDC 2 left
11	52	VAR	car door roller	Weight	0.1	AMDC 2 right
11	51	VAR	car door roller	Weight	0.1	AMDC 2 left
11	50	VAR	car door roller	Weight	0.1	AMDC 2 right
11	49	VAR	car door roller	Weight	0.1	AMDC 2 left
11	48	VAR	car door roller	Weight	0.1	AMDC 2 right
11	47	VAR	car door roller	Weight	0.1	AMDC 2 left
11	46	VAR	car door roller	Weight	0.1	AMDC 2 right
11	45	VAR	car door roller	Weight	0.1	AMDC 2 left
11	44	VAR	car door roller	Weight	0.1	AMDC 2 right
11	43	VAR	car door roller	Weight	0.1	AMDC 2 left
11	42	VAR	car door roller	Weight	0.1	AMDC 2 right
11	41	VAR	car door roller	Weight	0.1	AMDC 2 left
11	40	VAR	car door roller	Weight	0.1	AMDC 2 right
11	39	VAR	car door roller	Weight	0.1	AMDC 2 left
11	38	VAR	car door roller	Weight	0.1	AMDC 2 right
11	37	VAR	car door roller	Weight	0.1	AMDC 2 left
11	36	VAR	car door roller	Weight	0.1	AMDC 2 right
11	35	VAR	car door roller	Weight	0.1	AMDC 2 left
11	34	VAR	car door roller	Weight	0.1	AMDC 2 right
11	33	VAR	car door roller	Weight	0.1	AMDC 2 left
11	32	VAR	car door roller	Weight	0.1	AMDC 2 right
11	31	VAR	car door roller	Weight	0.1	AMDC 2 left
11	30	VAR	car door roller	Weight	0.1	AMDC 2 right
11	29	VAR	car door roller	Weight	0.1	AMDC 2 left
11	28	VAR	car door roller	Weight	0.1	AMDC 2 right
11	27	VAR	car door roller	Weight	0.1	AMDC 2 left
11	26	VAR	car door roller	Weight	0.1	AMDC 2 right
11	25	VAR	car door roller	Weight	0.1	AMDC 2 left
11	24	VAR	car door roller	Weight	0.1	AMDC 2 right
11	23	VAR	car door roller	Weight	0.1	AMDC 2 left
11	22	VAR	car door roller	Weight	0.1	AMDC 2 right
11	21	VAR	car door roller	Weight	0.1	AMDC 2 left
11	20	VAR	car door roller	Weight	0.1	AMDC 2 right
11	19	VAR	car door roller	Weight	0.1	AMDC 2 left
11	18	VAR	car door roller	Weight	0.1	AMDC 2 right
11	17	VAR	car door roller	Weight	0.1	AMDC 2 left
11	16	VAR	car door roller	Weight	0.1	AMDC 2 right
11	15	VAR	car door roller	Weight	0.1	AMDC 2 left
11	14	VAR	car door roller	Weight	0.1	AMDC 2 right
11	13	VAR	car door roller	Weight	0.1	AMDC 2 left
11	12	VAR	car door roller	Weight	0.1	AMDC 2 right
11	11	VAR	car door roller	Weight	0.1	AMDC 2 left
11	10	VAR	car door roller	Weight	0.1	AMDC 2 right
11	9	VAR	car door roller	Weight	0.1	AMDC 2 left
11	8	VAR	car door roller	Weight	0.1	AMDC 2 right
11	7	VAR	car door roller	Weight	0.1	AMDC 2 left
11	6	VAR	car door roller	Weight	0.1	AMDC 2 right
11	5	VAR	car door roller	Weight	0.1	AMDC 2 left
11	4	VAR	car door roller	Weight	0.1	AMDC 2 right
11	3	VAR	car door roller	Weight	0.1	AMDC 2 left
11	2	VAR	car door roller	Weight	0.1	AMDC 2 right
11	1	VAR	car door roller	Weight	0.1	AMDC 2 left

D1.5 (KONE)	605031 G01	
MTR. (MTLUR)	900270 G01	
car return depth		
VAR. OPERING INSTRUCTION		
D1.5 (KONE)	NO	
MTR. (MTLUR)	900480 G01	
car return depth		
VAR. PANEL ADAPTER		
Standard-75mm	907856 G02	
Standard-35mm	902854 G03	
car return depth		
VAR. CAR DOOR BRACKET		

D1.5 (KONE)	901832 G01	902832 G02
MTR. (MTLUR)	900854 G01	900854 G02
AMDC 2 left	AMDC 2 left	AMDC 2 right
VAR. DRIVE		
other panel standard	902830 G01	902830 G02
NO	NO	NO
AMDC 2 left	AMDC 2 left	AMDC 2 right
VAR. EMERGENCY OPENING DEVICE		

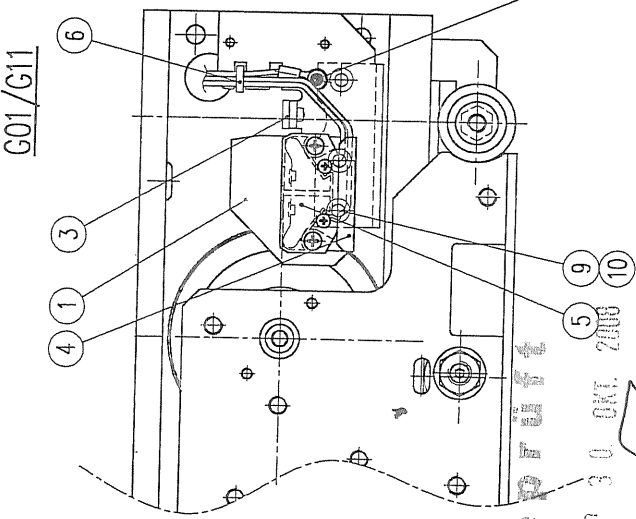
light single skin (L) standard penstype	NO
601570 G01	601570 G01
with coupler	without coupler
VAR. PANEL SUPPORT	

lock coupler without coupler standard coupler	902083 G11	902083 G12
AMDC 2 left	AMDC 2 left	AMDC 2 right
VAR. DOOR CONTACT COMPL.		

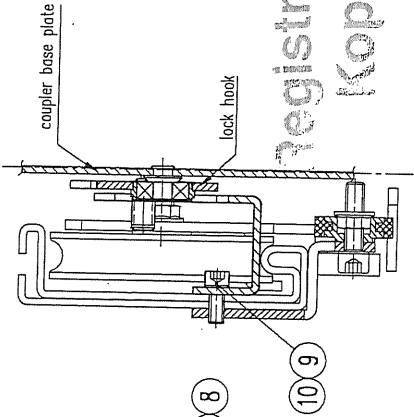
without AMB-lock AMB-standard	601435	902870	902871	G01	G03	G05	G05	G13	G15
VAR. COUPLER/LOCK									

Small text at the bottom of the page, likely a copyright or manufacturer notice.

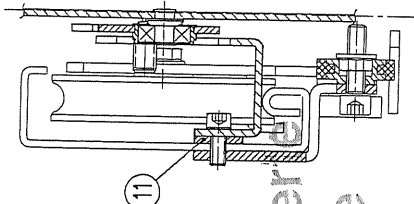
genehmigt zu Included in	900340	900342	900347
Ausgabe Issue	B	G11 & G12 added	CRW-2330
Änderung Alteration	09.01.2008 waltmdo		
Datum Date			
Gezeichnet Dwn			
Gepr. Chd			



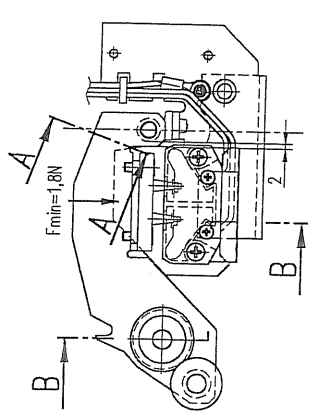
Schnitt B-B
section B-B
1:1
AMD R2



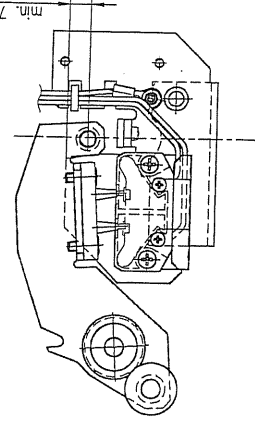
Schnitt B-B
section B-B
1:1
AMD R6



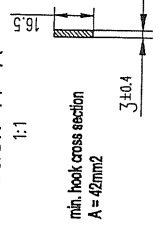
max. geschlossene Stellung
max. close position



nomielle elektrisch geschlossene Stellung
nominal electric close position



Schnitt A-A
section A-A
1:1



Bernstein	280101	SEL5-A1Z P
Bernstein	274095	SEL2-A1Z P
VAR.	DOOR CONTACT	

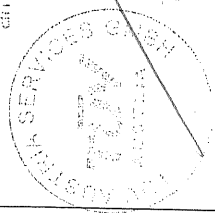
registrieren
Kopie
ORIGINAL

G12	G11	G02	G01	Kontakt- Design	Typ Item	Typ Item	Material Material	Gen. Appr.	Code Code	AMD
AMDC right	AMDC left	AMDC right	AMDC left	wa1mdo	wa1mdo	wa1mdo	car door contact complete - lock			
Rolling 6	Rolling 2						Kabinenrückkontakt komplett - Schloß			
							side opening type R2/R6			
							902083			



GEPRÜFT

am 30. Okt. 2008



TÜV AUCOMA SERVICES GMBH

Der Auftragsprüfer

TÜV-A-AT-11081/148 FATU

The certificate and test report are issued by TÜV AUCOMA SERVICES GMBH, a company of TÜV AUCOMA AG. The certificate and test report are issued by TÜV AUCOMA SERVICES GMBH, a company of TÜV AUCOMA AG. The certificate and test report are issued by TÜV AUCOMA SERVICES GMBH, a company of TÜV AUCOMA AG.