



ÉMI-TÜV

# EU-TYPE EXAMINATION CERTIFICATE

According to Annex IV, Part A of 2014/33/EU Directive

<b>Certificate No:</b>	<b>F-0396-1/2021</b>
<b>Certificate Body of the Notified Body:</b>	<b>ÉMI-TÜV SÜD Ltd.</b> Dózsa György út 26. H-2000 Szentendre Identification No. 1417
<b>Certificate holder:</b>	<b>C.O.A.M. Srl</b> Via Noalese Sud 66, 30030 Mellaredo di Pianiga, Italy
<b>Manufacturer of the test sample:</b>	<b>C.O.A.M. Srl</b> Via Noalese Sud 66, 30030 Mellaredo di Pianiga, Italy
<b>Product:</b>	<b>Rupture valve</b>
<b>Type:</b>	<b>RSG 70</b>
<b>Directive:</b>	<b>2014/33/EU</b>
<b>Reference Standards:</b>	<b>EN 81-20:2020</b> <b>EN 81-50:2020</b>
<b>Test report:</b>	<b>LAB-21-7/2021</b>
<b>Outcome:</b>	The safety component conforms to the essential health and safety requirements of the mentioned directive as long as the requirements of the annex of this certificate are kept.
<b>Date of Issue:</b>	<b>2021-09-06</b>



László, Hebők Jr.  
NB - 1417

## Annex to the EU-type examination certificate F-0396-1/2021

### 1. Scope of application:

Type designation:	RSG 70
Product type:	rupture valve
Field of application:	To be used for elevators in accordance with the directive 2014/33/EU
Flow range:	110 – 550 [l/min]
Pressure range:	10 – 100 [bar]
Viscosity range:	20 – 300 [mm <sup>2</sup> /s]
Temperature range:	-20 – 70 [°C]

### 2. Remarks:

- 2.1. Each product must be accompanied by the instructions which are necessary for its operation and installation.
- 2.2. Rupture valves having a range of use and needing an adjustment according to the special conditions of the lift in which they are installed, shall be provided with means to prevent unauthorized readjustment. This can be done for instance by sealing.  

The correct adjustment and the means to prevent unauthorized re-adjustment are within the responsibility of the manufacturer of the rupture valve and the installer; the latter following the installation and adjustment instructions of the manufacturer.
- 2.3. Each product must bear a distinct indication of the manufacturer or importer and a type designation, so that the identity of the tested sample might be determined with the standard product launched on the market.
- 2.4. The EU type-examination certificate may only be used in connection with the pertinent Annex.
- 2.5. The EU type-examination certificate may lose its validity if the requirements are modified.

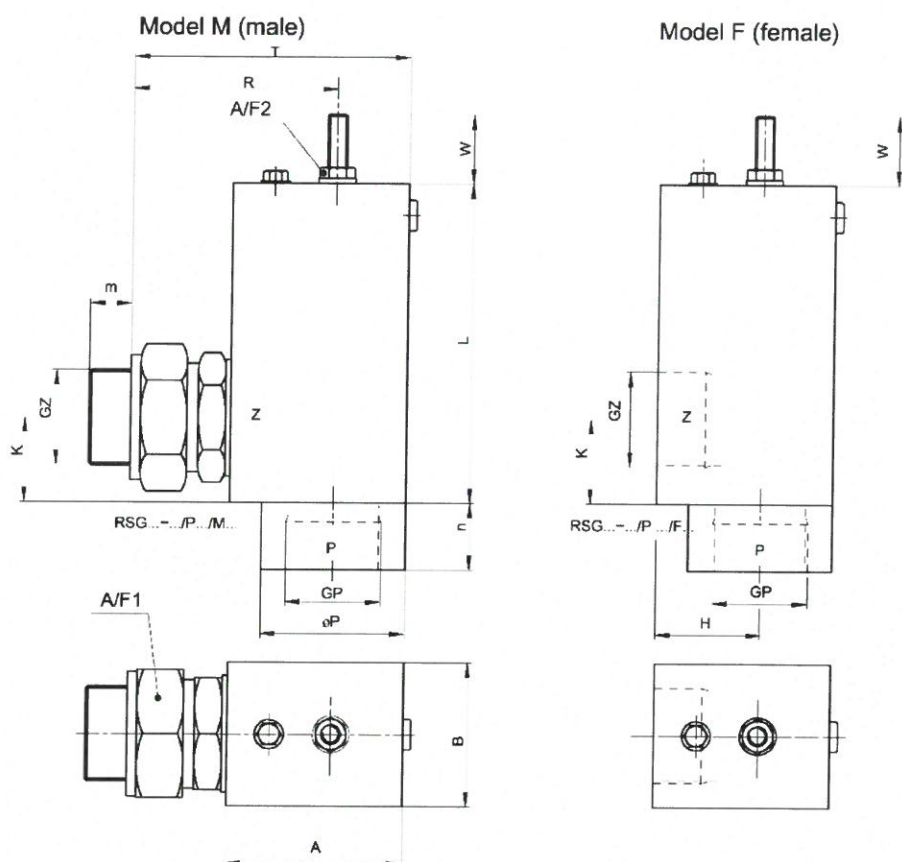


Fig. 2 Dimensions

Type	Port		Dimensions [mm]												
	GZ	GP	A	B	H	K	L	m	n	øP	R	T	W	A/F1	A/F2
RSG 55	G1	G1	70	70	41.5	30	126	19	26	55	89.5	118	<36.5	50	13
	G1	G1½							35						
	G1	G1½							36						
RSG 70	G1½	G1½	90	70	55	43	164	22	35	70	107	142	<51	65	19
	G1½	G1½													
	G1½	G2													
RSG 90	G1½	G2	110	90	65	53	200	26	42	90	128	173	<63	65	19
	G2	G2												80	