



Industrie Service

EU-TYPE EXAMINATION CERTIFICATE

According to Annex IV, Part A of Directive 2014/33/EU

Certificate No.:	EU-SG 015
Certification Body of the Notified Body:	TÜV SÜD Industrie Service GmbH Westendstr. 199 80686 Munich – Germany Identification No. 0036
Certificate Holder:	INVENTIO AG Seestrasse 55 6052 Hergiswil – Switzerland
Manufacturer of the Test Sample: <small>(Manufacturer of Serial Production - see Enclosure)</small>	Schindler Drive Systems Poligono “Empresarium” Albardin, 58 50720 La Cartuja Baja - Zaragoza – Spain
Product:	Progressive safety gear
Type:	SA G 11 ID-No.: 108321
Directive:	2014/33/EU
Reference Standards:	EN 81-20:2014 EN 81-50:2014
Test report:	No. EU-SG 015 of 2017-12-20
Outcome:	The safety component conforms to the essential health and safety requirements of the mentioned Directive as long as the requirements of the annex of this EU-type examination certificate are kept.
Date of Issue:	2017-12-20

Achim Janocha /
Certification Body “lifts and cranes”



1 Scope of application

1.1 Permissible total mass of car and rated load or counterweight in using one pair of safety gears, depends on the maximum tripping speed of overspeed governor and condition of the guide rail running surface

Max. tripping speed (m/s)	Condition of the running surface	Total mass (kg) min. - max.
3.7	oiled*	2073
3.3	oiled*	2073 - 6352
2.8	oiled*	2073 - 8045
10.6	dry	2073 - 5031
6.4	dry	2073 - 5619
5.2	dry	2073 - 7256
2.8	dry	2073 - 8045

*HLP-oils according to DIN 51524, part 2 or oils with comparable characteristics

The total mass corresponding of the intermediate values of the maximum tripping speed can be determined through linear interpolation.

1.2 Maximum tripping speed of overspeed governor and maximum rated speed

Maximum tripping speed (m/s)	2.8	3.3	3.7	5.2	6.4	10.6
Range of the maximum rated speed (m/s)	2.24 - 2.43	2.64 - 2.87	3.0 - 3.2	4.16 - 4.52	5.12 - 5.57	8.45 - 9.22

1.3 Guide rails to be used

- 1.3.1 Running surface manufactured by machined
- 1.3.2 Minimum running surface width 30 mm
- 1.3.3 Blade width 15.88 - 19 mm

2 Conditions

- 2.1 For identification and information about the principal construction and operation and for demarcation of the examined and approved sample the identification drawing M _ _ 103772 with certification stamp dated 2015-08-03 has to be enclosed to the EU-type examination certificate and its annex.
- 2.2 The EU-type examination certificate may only be used in connection with the pertinent annex and the enclosure (list of the manufacturers serial production). This enclosure shall be updated and re-edited following information of the certificate holder.

3 Remarks

- 3.1 Pursuant to the standard EN 81-50:2014, paragraph 5.3.4, the total mass of the progressive safety gear determined for adjustment purposes may be 7.5 % higher or lower.
- 3.2 This EU-type examination certificate is based modelled after and /or harmonized standards as following:
 - EN 81-1:1998 + A3:2009 (D), Anhang F.3
 - EN 81-2:1998 + A3:2009 (D), Anhang F.3
 - EN 81-20:2014 (D), Punkt 5.6.2.1.1.2
 - EN 81-50:2014 (D), Punkt 5.3
- 3.3 Changes resp. extensions of the upper mentioned standards or a further development of the state of the art may make a revision of this EU-type examination certificate necessary.

Enclosure of EU-Type Examination Certificate
No. EU-SG 015 dated 2017-12-20



Industrie Service

Authorised Manufacturer of Serial Production – Production Sites (Stated: 2017-12-20):

Company Schindler Drive Systems
Address Poligono "Empresarium"
Albardin 58
50720 La Cartuja Baja – Zaragoza - Spain

Company Schindler (China) Elevator Co. Ltd.
Address No. 818 Jin Men Road
215004 Suzhou – P.R. China

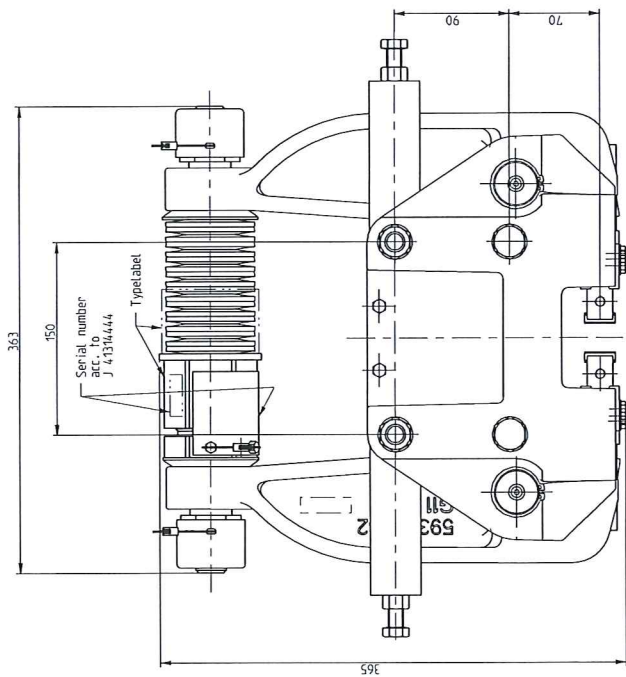
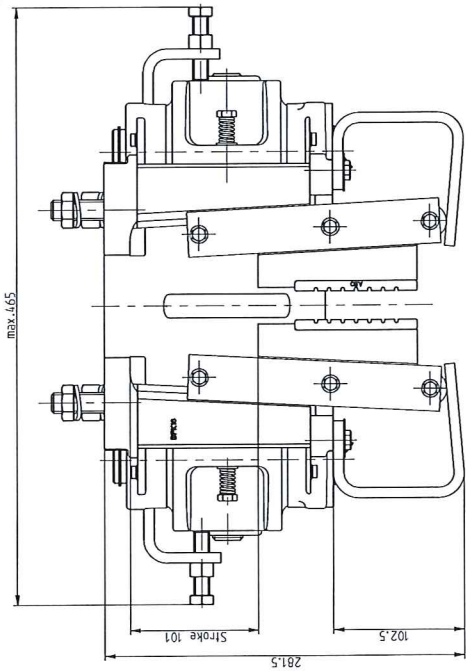
Company Schindler (China) Elevator Co. Ltd.
Address No. 555 Xing Shun Road, Jiading District,
201800 Shanghai – P.R. China

Company Schindler Aufzüge AG
Address EBI WORKS
Zugerstrasse 13
6030 Ebikon – Switzerland

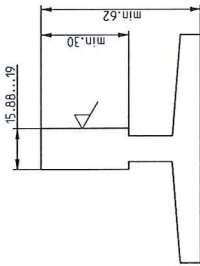
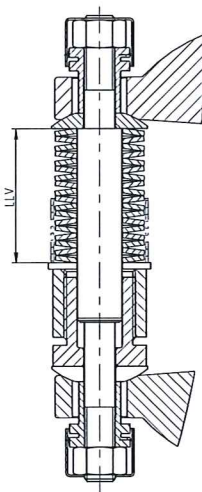
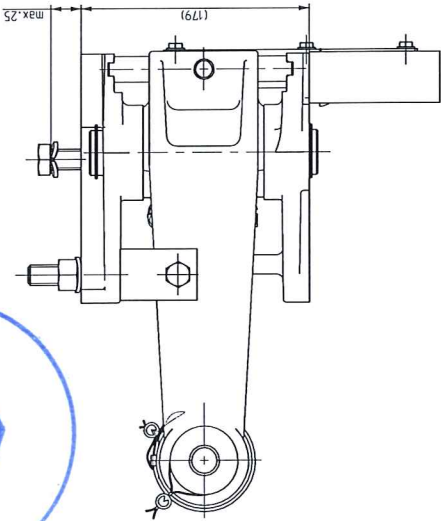
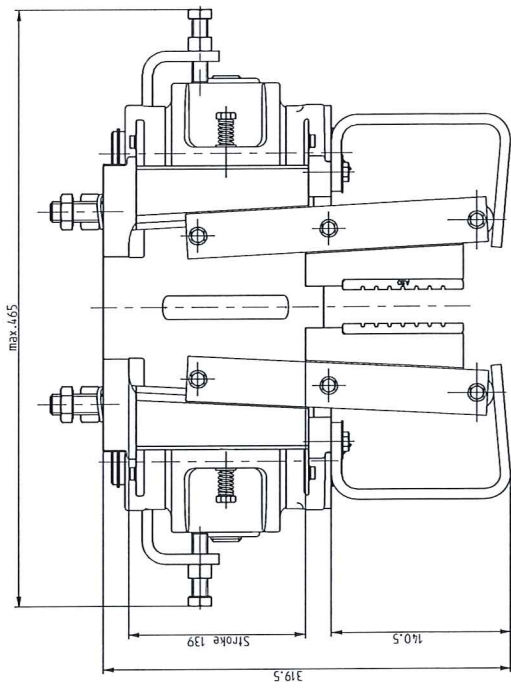
- ENDE DOKUMENT -



S = 3mm



S = 5mm



0 3. AUG. 2015

GEPRÜFT / APPROVED
 TÜV SÜD Industrie Service GmbH
 Prüflaboratorium für Produkte der Erdertechnik
 Westendstraße 199
 80686 München
 Sachverständige(r) / Expert

Item No.	Item Name / Code	Unit	QTY	Spec. No.	Rev.
000327	Gas engine (part) / Gas engine	1	1	1	1
000328	Serial number	1	1	1	1
000329	Typenlabel	1	1	1	1
000330	Serial number	1	1	1	1
000331	Typenlabel	1	1	1	1
000332	Serial number	1	1	1	1
000333	Typenlabel	1	1	1	1
000334	Serial number	1	1	1	1
000335	Typenlabel	1	1	1	1
000336	Serial number	1	1	1	1
000337	Typenlabel	1	1	1	1

Group	SAFETY
Checked by	
Reviewed by	
Approved by	
Valid until	

Item No.	Item Name	Unit	QTY
000327	Gas engine (part) / Gas engine	1	1
000328	Serial number	1	1
000329	Typenlabel	1	1
000330	Serial number	1	1
000331	Typenlabel	1	1
000332	Serial number	1	1
000333	Typenlabel	1	1
000334	Serial number	1	1
000335	Typenlabel	1	1
000336	Serial number	1	1
000337	Typenlabel	1	1

This preparation is provided as a service to our customers and is not intended for legal proceedings. It is provided for information purposes only. The drawing is not a contract. The drawing is not a contract. The drawing is not a contract.

Dimensioned Drawing SA 6 11
 SA 6 11
 INVENTIO AG CH-8052 Reggione
 M...103772
 EN