



EC TYPE-EXAMINATION CERTIFICATE

According to Annex V, Part A of 95/16/EC Directive

Certificate No.: AFV 765/2

Certification Body of the Notified Body: TÜV SÜD Industrie Service GmbH
Westendstr. 199
80686 Munich – Germany
Identification No. 0036

Certificate Holder: SLC Sautter Lift Components GmbH & Co. KG
Borsigstr. 26
70469 Stuttgart – Germany

Manufacturer of the Test Sample: SLC Sautter Lift Components GmbH & Co. KG
Borsigstr. 26
70469 Stuttgart – Germany
(Manufacturer of Serial Production – see Enclosure)

Product: Instantaneous safety gear

Type: RF 0002

Directive: 95/16/EC

Reference Standards: EN 81-20:2014
EN 81-50:2014
EN 81-1:1998+A3:2009
EN 81-2:1998+A3:2009

Test Report: AFV 765/2 of 2015-10-23

Outcome: The safety component conforms to the essential health and safety requirements of the mentioned Directive as long as the requirements of the annex of this certificate are kept.

Date of Issue: 2015-10-23

Achim Janocha
Certification Body "lifts and cranes"



**Annex to the EC Type-Examination Certificate
No. AFV 765/2 of 2015-10-23**



Industrie Service

1 Scope of application

1.1 Permissible total mass of car and rated load or counterweight in using one pair of safety gear, depends on maximum tripping speed of the overspeed governor

Tripping speed (m/s)	Maximale Gesamtmasse (kg)
0.50	3264
0.60	3141
0.70	3006
0.80	2865
0.90	2720
1.00	2574
1.10	2431
1.20	2290
1.32	2130
1.65	1734

1.2 Maximum rated speed

1.2.1 Car 0.63 m/s

1.2.2 Counterweight 1.00 m/s

1.3 Maximum tripping speed of overspeed governor

1.3.1 Car 1.00 m/s

1.3.2 Counterweight 1.65 m/s

1.4 Guide rails to be used

1.4.1 Blade width 9 – 10 mm

1.4.2 Minimum running surface width 28 mm

2 Terms and Conditions

2.1 In order to provide identification and information about the design and its functioning and to show the environmental conditions and connection requirements, drawing Z 1000032750 with stamp dated 2007-09-24 is to be enclosed with the EC type-examination certificate and the Annex thereto.

2.2 The type-examination certificate may only be used in combination with the corresponding annex and enclosure (List of authorized manufacturer of the serial production). The enclosure will be updated immediately after any change by the certification holder.

3 Remarks

3.1 The test over covers the safety gear and the safety gear elements (rollers) and did not include either the connection between the individual safety gear elements (safety gear rods) or the actuation of the electric safety device. When connecting the safety gear elements to the overspeed governor, attention must be paid to the fact that, at the point at which the overspeed governor rope engages, the car don't travel more than 0.03 m until the safety gear element engage.

3.2 This EC type-examination certificate was issued according to the following standards:

- EN 81-1:1998 + A3:2009 (D), Annex F.3
- EN 81-2:1998 + A3:2009 (D), Annex F.3
- EN 81-20:2014 (D), part 5.6.2.1.1.2
- EN 81-50:2014 (D), part 5.3

3.3 A revision of this EC type-examination certificate is inevitable in case of changes or additions of the above mentioned standards or of changes of state of the art.

**Enclosure to the EC Type-Examination Certificate
No. AFV 765/2 of 2015-10-23**

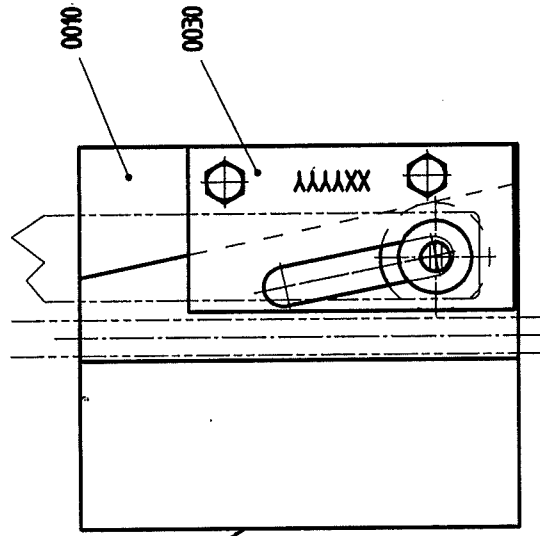
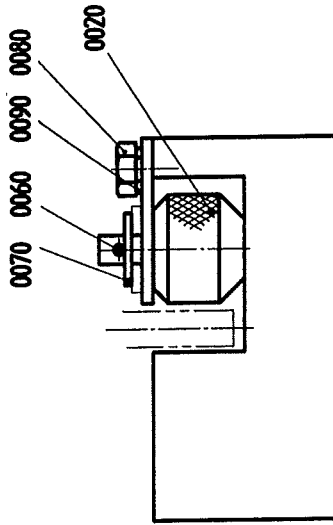
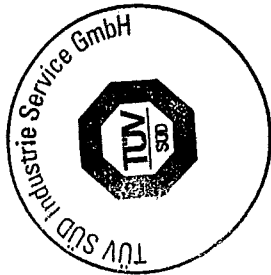


Industrie Service

Authorised Manufacturer of Serial Production – Production Sites (valid from: 2015-10-23):

Company SLC Sautter Lift Components GmbH & Co. KG
Address Borsigstr. 26
70469 Stuttgart – Germany

- END OF DOCUMENT -



Pos.0050 Barcode Label seitlich angeklebt

- GEPRÜFT -
 TÜV SÜD Industrie Service GmbH
 Zentralbereich Fördertechnik-Sonderbauten
 Abteilung Aufzüge und Sicherheitsbauteile
 Westendstr. 199, D-80698 München
 Der Sachverständige

2 4. SEP. 2007

Pos.	Benennung	SachNr.
0010	Grundkörper RF0002	50100317
0020	Fangrolle D=30	50100319
0030	Platte 46x88	50100318
0060	Spindel DIN 94-3,2x20	626732020
0070	Scheibe 8,4	616900600
0080	6KT Schraube M6x12	601406012
0090	Sicherungsscheibe 6	616170006

Schulzweig nach DIN X beschreiben		Freiheitskennzeichen		Merkmal	
				41	
Datum	Form	Datum	Form	Benennung	
Besch. 03/7/2004	Besch.			ROLLENSPERREANGVORRICHTUNG RF0002	
Ger.	Ger.	Zusammenf. Zeichen Nr.		Mat.Nr. 50100326 Z. 1000032750	
Verf.	Verf.				
Erlaubt	Erlaubt				