

# EC TYPE-EXAMINATION CERTIFICATE

Acting under the Warenwetbesluit liften issued by Liftinstituut B.V.  
identification number Notified Body 0400,  
commissioned by Besluit no. A&G/W&P/03 56126 of October 15<sup>th</sup>, 2003

Certificate nr. : NL 07-400-1002-100-01 Revision nr.: 2.0

Description of the product : Progressive safety gear for cold drawn and machined guide rails with dry or lubricated surface; up, down or bi-directional

Trademark, type : Cobianchi, PC24DA / PC24DO and PC24UP

Name and address of the manufacturer : Cobianchi Lifteile AG  
Sägegasse 5, CH-3110 Münsingen,  
Switzerland

Name and address of the certificate holder : Cobianchi Lifteile AG  
Sägegasse 5, CH-3110 Münsingen,  
Switzerland

Certificate issued on the following requirements : Lifts Directive 95/16/EC  
EN 81-1:1998+A3:2009  
EN 81-2:1998+A3:2009

Test laboratory : Testtower Cobianchi Lifteile AG  
Thun, Switzerland

Date and number of the laboratory report : December 10, 2010 / NL 07-400-1002-100-01

Date of EC type-examination: August 2010 – December 2010

Annexes with this certificate : Annex belonging to the EC type-examination certificate nr.: NL 07-400-1002-100-01

Additional remarks : None

Conclusion : The safety component meets the requirements of the Lifts Directive 95/16/EC taking into account any additional remarks mentioned above.



Issued in Amsterdam  
Date of issue :  
December 10<sup>th</sup>, 2010

LIFTINSTITUUT B.V.  
Ir. V.M.A. Barendregt  
Senior Officer Certification &  
Technology



LIFTINSTITUUT B.V.  
Drs. B. Mulder  
Director Certification &  
Inspection International

## Annex EC type-examination nr. NL 07-400-1002-100-01

### 1. Scope

#### 1.1 General:

maximum tripping speed	: 3.5 m/s
guide rails	: Machined / cold drawn
guide rail thickness	: 9 – 20 mm
minimum gripping width on guide rail	: 30 mm
lubrication means (oil) of quality	: HLP-oils, (DIN 51524, Part 2)

#### 1.2 Permissible total mass for safety gear operation:

Guide rail surface	min. – max. total mass
Dry cold drawn guide rails	: 1201 – 4100 kg
Oiled cold drawn guide rails	: 1192 – 3700 kg
Dry machined guide rails	: 1169 – 5498 kg
Oiled machined guide rails	: 1118 – 5300 kg

#### 1.3 Brake force allowed for ascending car overspeed protection:

Guide rail surface	min. – max. brake force
Dry cold drawn guide rails	: 19216 – 65600 N
Oiled cold drawn guide rails	: 19072 – 59200 N
Dry machined guide rails	: 18704 – 87968 N
Oiled machined guide rails	: 17888 – 84800 N

### 2. Conditions

On the EC type-examination certificate the following conditions apply:

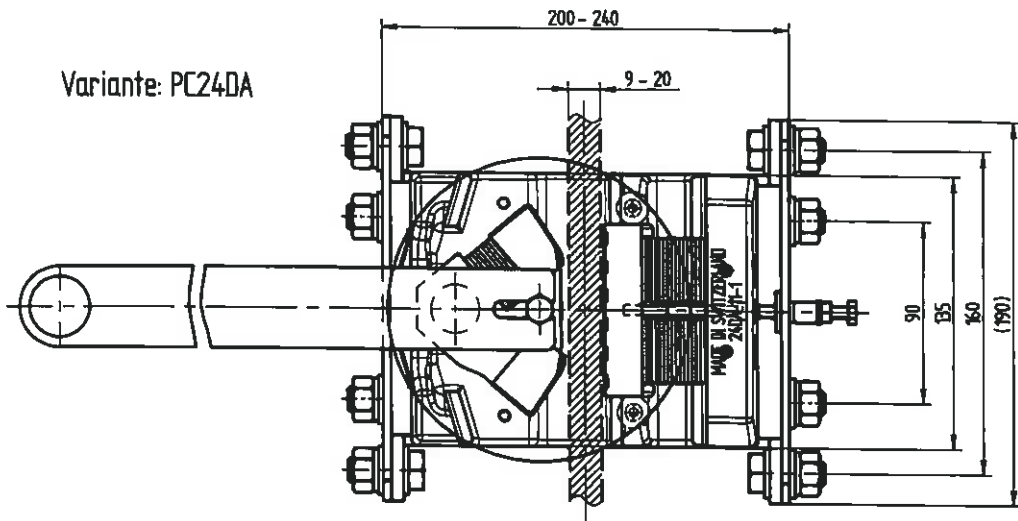
- The safety gear and/or ascending safety device shall be adjusted according the specific load graphs related to  $\mu$ -factor, bending of the housing and spring compression.
- The safety gear shall be activated by an overspeed governor fulfilling the requirements of EN 81-1 chapter 9.9 (e.g. max. nominal speed 2.7 m/s).
- The mass stated may differ 7.5% from the mass adjustment (Annex F.3.4 a 2).
- The braking force for the lift shall be adjusted in such a way that it will not allow a retardation of the empty car up in excess of 1  $g_n$  during the stopping phase.
- In case of upward braking it must be assured that the construction of the guide rails is capable to withstand the forces applied.
- The maintenance instructions shall be provided with the safety component.

The safety gear can be used as stopping element as part of a protection means against unintended car movement.

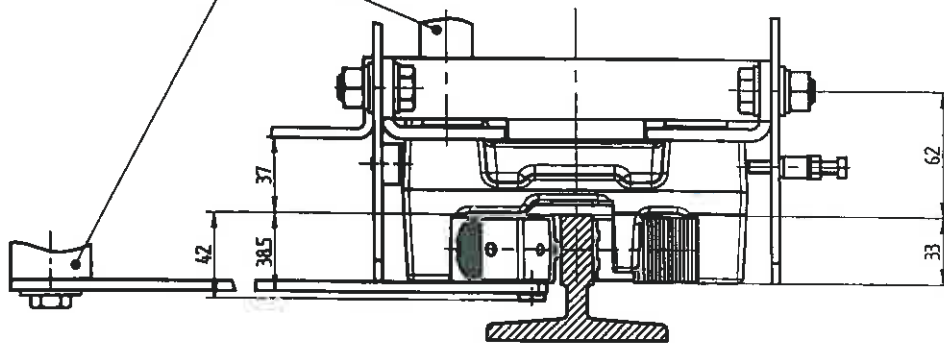
- o The safety gear and overspeed governor combination shall ensure that the values required by EN 81-1:1998 + A3:2009 clauses 9.11.5 and 9.11.6 are not exceeded. The operation distance of the safety gear is 13.7 mm maximum and the maximum tripping speed is 2.0 m/s.
- o These values shall be verified by the installer of the complete lift.
- o The safety gear will activate even with very low speeds.

## Bremsfangvorrichtung Typ - PC24DA / DO / UP

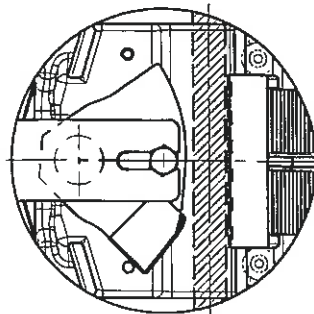
Variante: PC24DA



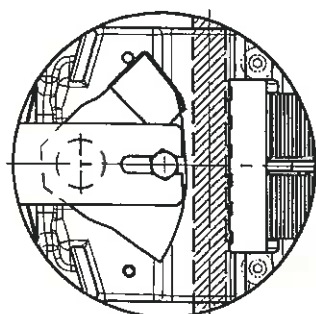
Fangwelle innen- oder aussenliegend



Variante: PC24DO



Variante: PC24UP



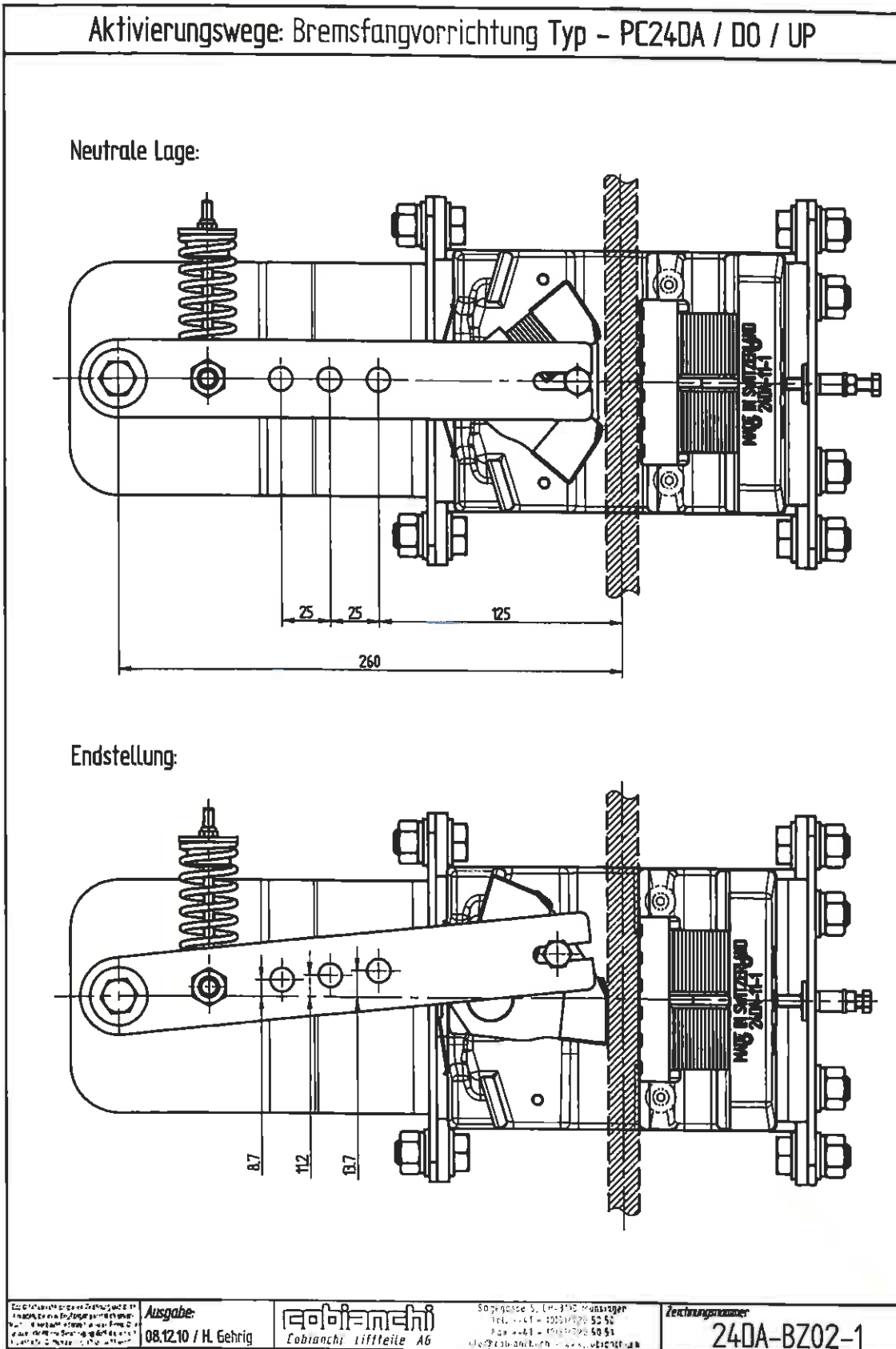
Alle Zeichnungen sind Eigentum des Liftinstituts B.V. und dürfen ohne schriftliche Genehmigung nicht weitergegeben werden.

Ausgabe:  
08.12.10 / H. Gehrig

कोविन्दी  
Cobianchi Liftteile AG

Subgasse 5, CH-3110 Münsingen  
Tel. +41 - 061 8 720 00 50  
Fax +41 - 061 8 720 00 51  
mailto:info@cobianchi.ch

Zeichnungsnummer  
24DA-BZ01-1



FACU10

**EG-Konformitätserklärung für Sicherheitsbauteile, 2009**  
**EC-Declaration of conformity for safety components, 2009**  
**Attestation de Conformite EC, 2009**  
**Dichiarazione di conformita EC, 2009**

---

**Hersteller / Manufacturer:**  
**Fabricant / Produttore:**

Cobianchi Lifteile AG  
 Sägegasse 5  
 CH-3110 Münsingen

**Beschreibung / Funktion:** Bremsfangvorrichtung gegen Übergeschwindigkeit einseitig wirkend  
**Description / Function:** Progressive safety gear acting in one direction  
**Préscription / Fonction:** Parachute à prise amortié contre vitesse excessive dans une sense  
**Descrizione / Funzione:** Paracadute a presa progressivo contro velocità eccessivo singolo senso

**Typ / Type / Type / Tipo:** **PC24DO, PC24LM, PC24UP, PC13DO, PC13LM, PC13UP**  
**Seriennummer:** siehe Typenschild und Gravur auf Fangkopf  
**Serial number:** see typ plate and engraving on each safety head  
**Numero de série:** gardez plaque de fabrication et gravure  
**Numero di fabbricazione:** vedi sulla targhetta e incisione

**Baujahr / Year of manufacture / Année de construction / Anno di fabbricazione:**  
 Siehe Typenschild / visible on type plate / visible sur plaque de caracteristique / vedi targhetta

**Einschlägige Normen / Harmonized standards:** EN 81-1 / 1998, 95/16 EG  
**Directive Européenne / Normativa:**

**Benannte Stelle der Baumusterprüfung:** Liftinstituut B.V.  
**Notified Body carried out EC certificate:** Buikslotermeerplein 381  
**Organisme agréé / Organismo autorizzato:** P.O. Box 36027 NL-1020 MA Amsterdam  
**Kennnummer / Identification number / Numéro / Numero:** 0400

**Bescheinigung Nr. / EC certificate nr.:** PC24DO, PC24LM, PC24UP: NL 07-400-1002-100-01  
**No. d'attestation / no. di certificato:** PC13DO, PC13LM, PC13UP: NL 08-400-1002-100-02

**Q-Systemüberprüfung erfolgt durch:** TÜV Bau- und Betriebstechnik  
**Quality production check / System de qualité verifié:** Westendstrasse 199  
**Organismo per controllo sistema:** D-80686 München  
**Kennnummer / Identification number / Numéro / Numero:** 0036

Bestätigt / Confirmed / Confirmée / Confermato

COBIANCHI LIFTEILE AG

Zentralsekretariat / Technik

April 2009