

EC TYPE-EXAMINATION CERTIFICATE

Acting under the Warenwetbesluit liften issued by Liftinstituut B.V.
identification number Notified Body 0400,
commissioned by Besluit no. A&G/W&P/03 56126 of October 15th, 2003

Certificate nr. : NL 08-400-1002-100-02 Revision nr.: 1.0

Description of the product : Progressive safety gear for cold drawn and machined guide rails
with dry or lubricated surface; up, down or bi-directional

Trademark, type : Cobianchi, PC13DA / PC13DO and PC13UP

Name and address of the manufacturer : Cobianchi Lifteile AG
Sägegasse 5, CH-3110 Münsingen,
Switzerland

Name and address of the certificate holder : Cobianchi Lifteile AG
Sägegasse 5, CH-3110 Münsingen,
Switzerland

Certificate issued on the following requirements : Lifts Directive 95/16/EC
EN 81-1:1998+A3:2009
EN 81-2:1998+A3:2009

Test laboratory : Testtower Cobianchi Lifteile AG
Thun, Switzerland

Date and number of the laboratory report : November 5, 2010 / NL 08-400-1002-100-02

Date of EC type-examination: August 2010 – October 2010

Annexes with this certificate : Annex belonging to the EC type-examination certificate
nr.: NL 08-400-1002-100-02

Additional remarks : None

Conclusion : The safety component meets the requirements of the Lifts
Directive 95/16/EC taking into account any additional remarks
mentioned above.



Issued in Amsterdam
Date of issue :
November 5th, 2010

LIFTINSTITUUT B.V.
Ir. V.M.A. Barendregt
Senior Officer Certification &
Technology



LIFTINSTITUUT B.V.
Drs. B. Mulder
Director Certification &
Inspection International

Annex EC type-examination nr. NL 08-400-1002-100-02

1. Scope

1.1 General Specifications for PC13DA, PC13DO and PC13UP:

maximum tripping speed	: 3.5 m/s
guide rails	: Machined / Cold Drawn
guide rail thickness	: 5 – 16 mm
minimum gripping width on guide rail	: 20 mm
lubrication means (oil) of quality	: HLP-oils (DIN 51524, Part 2)

1.2 Permissible total mass for safety gear operation:

Guide rail surface	min. – max. total mass
Dry cold drawn guide rails	: 177 – 2200 kg
Oiled cold drawn guide rails	: 176 – 2200 kg
Dry machined guide rails	: 219 – 2600 kg
Oiled machined guide rails	: 268 – 2600 kg

1.3 Brake force allowed for ascending car overspeed protection:

Guide rail surface	min. – max. brake force
Dry cold drawn guide rails	: 2832 – 35200 N
Oiled cold drawn guide rails	: 2816 – 35200 N
Dry machined guide rails	: 3504 – 41600 N
Oiled machined guide rails	: 4288 – 41600 N

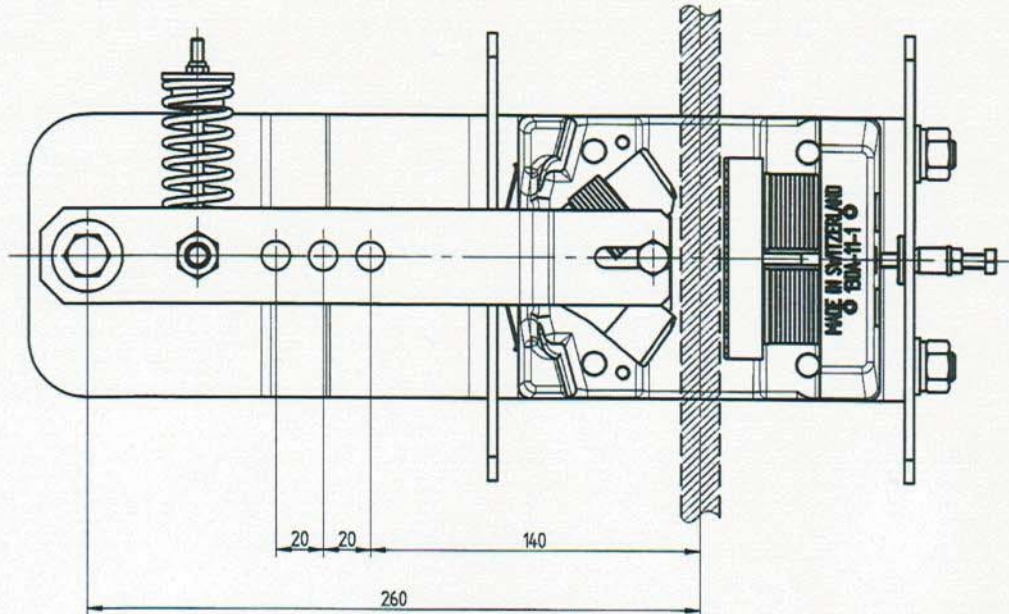
2. Conditions

On the EC type-examination certificate the following conditions apply:

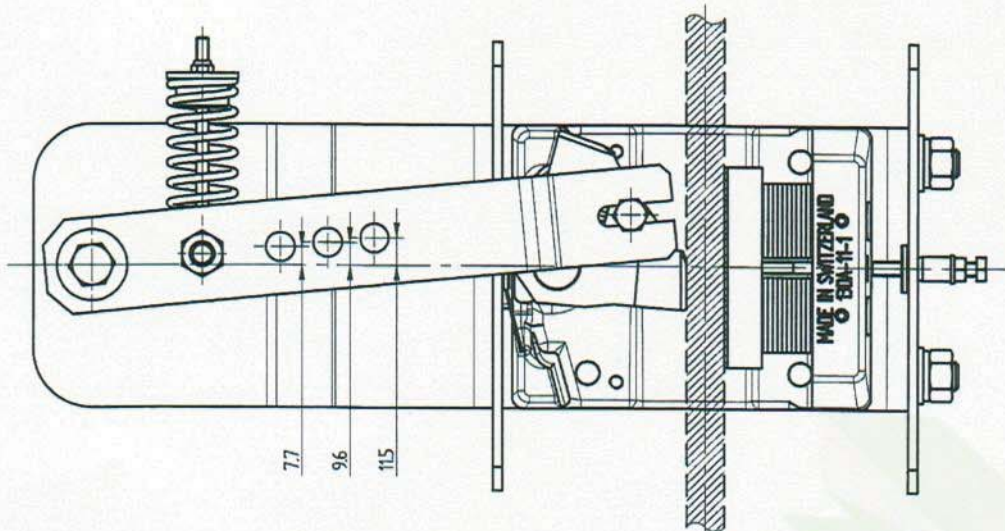
- The safety gear and/or ascending safety device shall be adjusted according the specific load graphs related to μ -factor, bending of the housing and spring compression.
- The safety gear shall be activated by an overspeed governor fulfilling the requirements of EN 81-1 chapter 9.9 (e.g. max. nominal speed 2.7 m/s).
- The mass stated may differ 7.5% from the mass adjustment (Annex F.3.4 a 2).
- The braking force for the lift shall be adjusted in such a way that it will not allow a retardation of the empty car up in excess of 1 g_n during the stopping phase.
- In case of upward braking it must be assured that the construction of the guide rails is capable to withstand the forces applied.
- The maintenance instructions shall be provided with the safety component.
- The safety gear can be used as stopping element as part of a protection means against unintended car movement.
 - o The safety gear and overspeed governor combination shall ensure that the values required by EN 81-1:1998 + A3:2009 clauses 9.11.5 and 9.11.6 are not exceeded. The operation distance of the safety gear is 11.5 mm maximum and the maximum tripping speed is 2.0 m/s.
 - o These values shall be verified by the installer of the complete lift.
 - o The safety gear will activate even with very low speeds.

Aktivierungswege: Bremsfangvorrichtung Typ - PC13DA / DO / UP

Neutrale Lage:



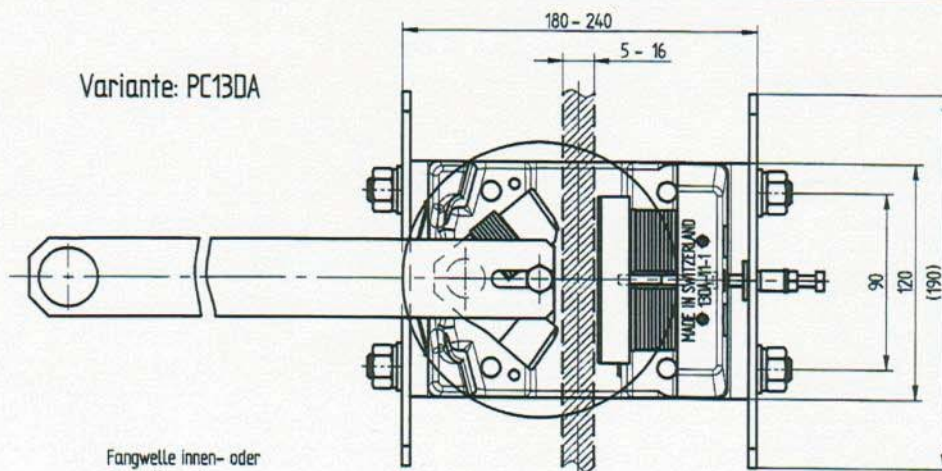
Endstellung:



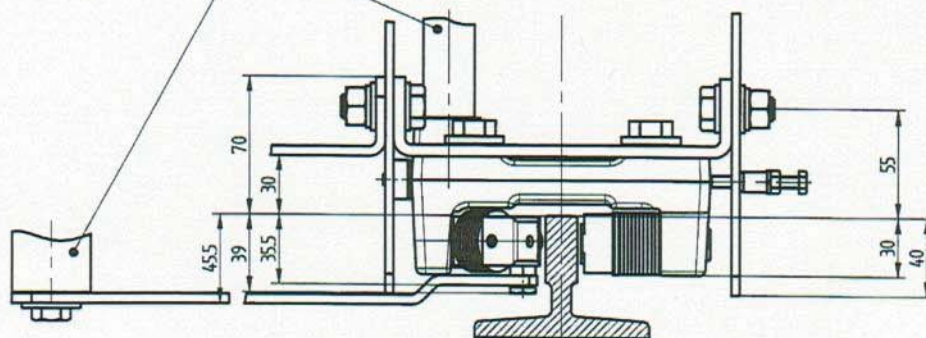
Die Abbildung zeigt die Bauform der Maschine. Die Abbildung ist eine schematische Darstellung der Maschine. Die Abbildung ist eine schematische Darstellung der Maschine.	Ausgabe 27.10.10 / H. Gehrig	 Cobianchi Lifteile AG	Saggegasse 5, CH-3110 Hönningen Tel. ++41 - (0)31 720 50 50 Fax ++41 - (0)31 720 50 51 info@cobianchi.ch - www.cobianchi.ch	Zeichnungsnummer 13DA-BZ02-1
---	--	---------------------------	--	--

Bremsfangvorrichtung Typ - PC13DA / DO / UP

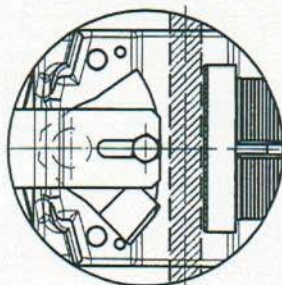
Variante: PC13DA



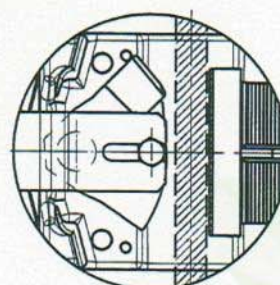
Fangwelle innen- oder aussenliegend



Variante: PC13DO



Variante: PC13UP



Diese Zeichnung ist eine technische Zeichnung. Alle Maße sind in mm angegeben. Alle Winkel sind in Grad angegeben. Alle Oberflächen sind mattschwarz. Alle Details sind in der Zeichnung dargestellt. Alle Änderungen sind durch eine Änderungsnote zu erklären. Alle Änderungen sind durch eine Änderungsnote zu erklären.	Ausgabe: 27.10.10 / H. Gehrig	Cobianchi Lifferteile AG	Säggasse 5 CH-3110 Hansggen Tel. ++41 - 05131 720 50 50 Fax ++41 - 05131 720 50 51 info@cobianchi.ch - www.cobianchi.ch	Zeichnungsnummer 13DA-BZ01-1
---	---	--------------------------	--	--

EG-Konformitätserklärung für Sicherheitsbauteile, 2009
EC-Declaration of conformity for safety components, 2009
Attestation de Conformite EC, 2009
Dichiarazione di conformita EC, 2009

Hersteller / Manufacturer:
Fabricant / Produttore:

Cobianchi Lifteile AG
 Sägegasse 5
 CH-3110 Münsingen

Beschreibung / Funktion: Bremsfangvorrichtung gegen Übergeschwindigkeit einseitig wirkend
Description / Function: Progressive safety gear acting in one direction
Préscription / Fonction: Parachute à prise amortié contre vitesse excessive dans une sense
Descrizione / Funzione: Paracadute a presa progressivo contro velocità eccessivo singolo senso

Typ / Type / Type / Tipo: **PC24DO, PC24LM, PC24UP, PC13DO, PC13LM, PC13UP**
Seriennummer: siehe Typenschild und Gravur auf Fangkopf
Serial number: see typ plate and engraving on each safety head
Numero de série: gardez plaque de fabrication et gravure
Numero di fabbricazione: vedi sulla targhetta e incisione

Baujahr / Year of manufacture / Année de construction / Anno di fabbricazione:
 Siehe Typenschild / visible on type plate / visible sur plaque de caracteristique / vedi targhetta

Einschlägige Normen / Harmonized standards: EN 81-1 / 1998, 95/16 EG
Directive Européenne / Normativa:

Benannte Stelle der Baumusterprüfung: Liftinstituut B.V.
Notified Body carried out EC certificate: Buikslotermeerplein 381
Organisme agréé / Organismo autorizzato: P.O. Box 36027 NL-1020 MA Amsterdam
Kennnummer / Identification number / Numéro / Numero: 0400

Bescheinigung Nr. / EC certificate nr.: PC24DO, PC24LM, PC24UP: NL 07-400-1002-100-01
No. d'attestation / no. di certificato: PC13DO, PC13LM, PC13UP: NL 08-400-1002-100-02

Q-Systemüberprüfung erfolgt durch: TÜV Bau- und Betriebstechnik
Quality production check / System de qualité verifié: Westendstrasse 199
Organismo per controllo sistema: D-80686 München
Kennnummer / Identification number / Numéro / Numero: 0036

Bestätigt / Confirmed / Confirmée / Confermato

COBIANCHI LIFTEILE AG

Zentralsekretariat / Technik

April 2009