

EC type-examination certificate



Certificate no.: AFV 456/1

Notified body: TÜV Süddeutschland Bau und Betrieb GmbH
Zertifizierungsstelle
für Aufzüge und Sicherheitsbauteile
Westendstraße 199, D-80686 München

**Applicant/
Certificate holder:** Cobianchi Lifteile AG
Sägegasse 6
CH-3110 Münsingen-Bern

Date of submission: 2000-12-04

Manufacturer: Cobianchi Lifteile AG
Sägegasse 6
CH-3110 Münsingen-Bern

Product, type: Progressive safety gear, type PC 1620

Test Laboratory: TÜV Süddeutschland Bau und Betrieb GmbH
Abteilung Aufzüge und Sicherheitsbauteile
Westendstraße 199, D-80686 München

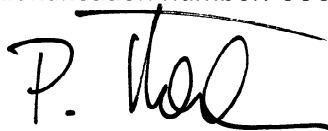
**Date and
Number of test report:** 2000-12-12
456/1

EC-directive: 95 / 16 / EC

Statement: The safety component conforms to the directive's
safety requirements for the respective scope of appli-
cation stated on page 1 of the annex to this EC type-
examination certificate.

Certificate date: 2000-12-12

Zertifizierungsstelle für Aufzüge und Sicherheitsbauteile
EC-Identification number: 0036


Peter Tkalec

CERTIFICAT

CERTIFICADO

‘EPHITPAH

認証証書

CERTIFICATE

ZERTIFIKAT

Annex to the EC type-examination certificate No. AFV 456/1

1. Scope of Application

1.1	Permissible total mass of car and rated load or counterweight in using one pair of safety gears depends on the width of the guide rails running surface	
1.1.1	Minimum running surface width 32 mm	790 - 3210 kg
1.1.2	Minimum running surface width 20 mm	225 - 2038 kg
1.2	Maximum tripping speed of overspeed governor and maximum rated speed	
1.2.1	Maximum tripping speed	2,50 m/s
1.2.2	Maximum rated speed	2,00- 2,17 m/s
1.3	Guide rails to be used	
1.3.1	Manufacture of the running surface	drawn or machined
1.3.2	Condition of the running surface *Mineral oils without additives (e.g. lubricating oils C according to DIN 51517 part 1)	dry or oiled*
1.3.3	Blade width	7 - 16 mm

2. Remarks

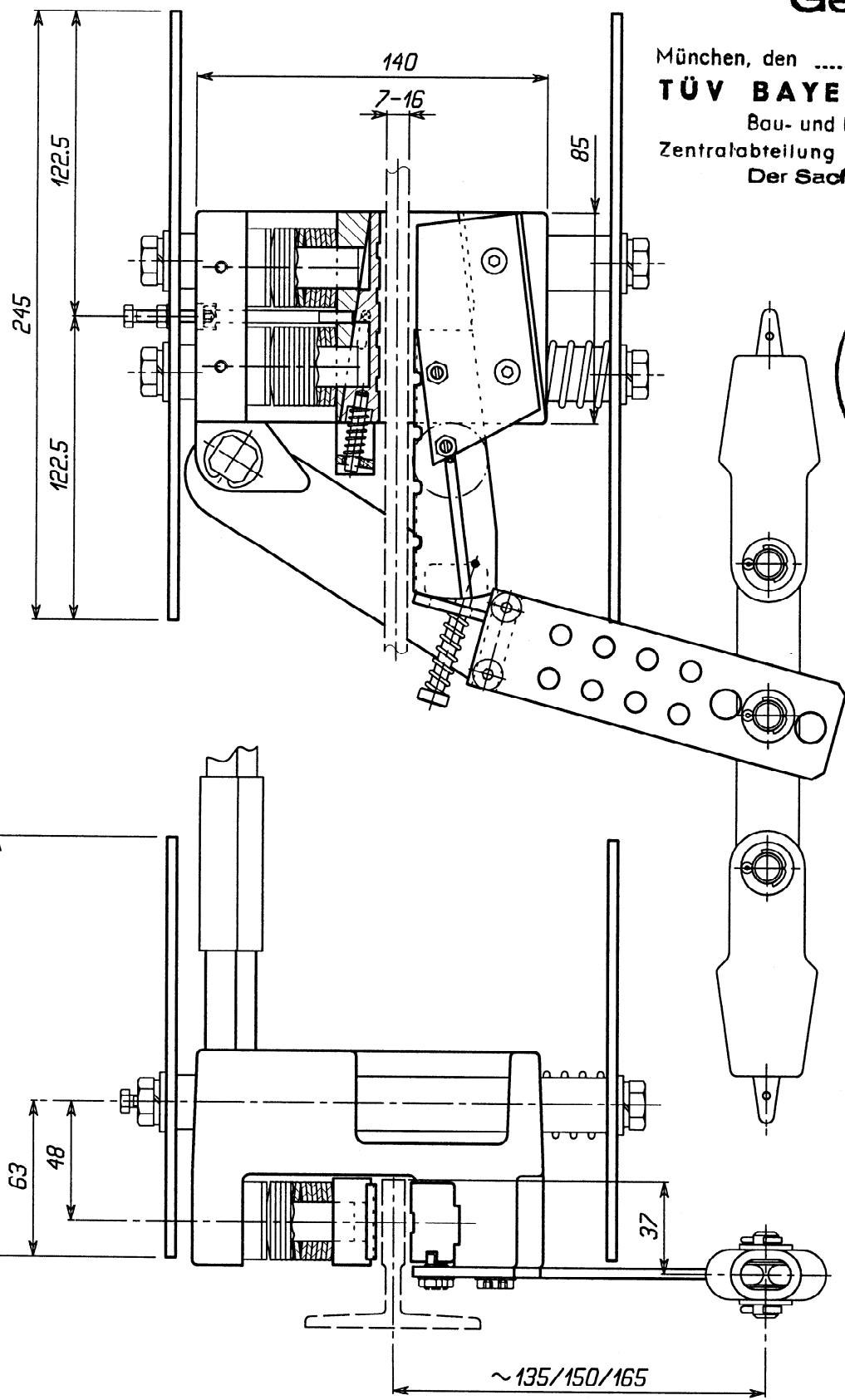
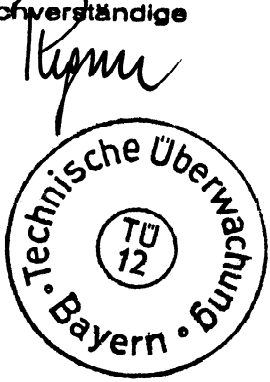
- 2.1 Pursuant to the standard EN 81, annex F, paragraph 3, section 3.4. a) 2) the total mass determined for adjustment purposes may be 7,5 % higher or lower.
- 2.2 In order to provide identification and information about the basic design and its functioning and to show the environmental conditions and connection requirements pertaining to the tested and approved type, and to define which parts have been tested, drawing „Progressive safety gear type PC-1620“ with examination stamp dated 29 March 1996 is to be enclosed with the EC type-examination certificate and the Annex thereto (The EEC type-examination certificate number EFV 456 on the drawing is no longer applicable and is to be regarded as AFV 456 within the definition of this EC type-examination certificate).
- 2.3 The EC type-examination certificate may only be used in connection with the pertinent Annex.

EFV 4 5 6

Geprüft

München, den 29. MRZ. 1996

TÜV BAYERN SACHSEN
Bau- und Betriebstechnik
Zentralabteilung Aufzüge - Hebezeuge
Der Sachverständige



EG-Konformitätserklärung für Sicherheitsbauteile, 2003
EC-Declaration of conformity for safety components, 2003
Attestation de Conformite EC / Dichiarazione di conformita EC, 2003

Hersteller/Manufacturer: Cobianchi Lifteile AG
Fabricant/Produttore: Sägegasse 5
CH-3110 Münsingen

Beschreibung/Funktion Bremsfangvorrichtung gegen Übergeschwindigkeit einseitig wirkend,
Description/Function Progressive safety gear acting in one direction
Préscription/Fonction Parachute à prise amortié contre vitesse excessive dans une sense
Descrizione/Funzione Paracadute a presa progressivo contro velocita eccessivo singolo senso

Typ, Type, Type, Tipo **PC1500, PC1600, PC1610, PC1620, PC2010, PC2020, PC3500**
PC15DO, PC30DO, PC60DO, PC30UP, PC60UP
PC14DO, PC44DO, PC14UP, PC44UP

Seriennummer: siehe Typenschild und Gravur auf Fangkopf
Serial number: see typ plate and engraving on each safety head
Numero de série: gardez plaque de fabrication et gravure
Numero di fabbricazione: vedi sulla targhetta e incisione

Baujahr/Year of manufacture/Année de construction/Anno di fabbricazione:
Siehe Typenschild, visible on type plate, visible sur plaque de caractéristique, vedere targhetta

Einschlägige Normen/Harmonized standards
Directive Européenne/Normativa: EN 81-1 / 1998, 95/16 EG

Benannte Stelle der Baumusterprüfung: TÜV Bau- und Betriebstechnik
Notified Body carried out EC certificate: Westendstrasse 199
Organisme agréé/Organismo autorizzato: D-80686 München
Kennnummer/Identification number/Numéro/Numero: 0635

Bescheinigung Nr.: EC certificate nr.: No. d'attestation: Certificato numero:
PC1500: AFV454 / PC1600: AFV335/1 / PC1610:AFV 455 / PC1620: AFV 456/1
PC2010: AFV457 / PC2020: AFV458 / PC3500: AFV 327/2
PC15DO: AFV564 / PC30DO: AFV526/1 / PC60DO: AFV 552 / PC30UP: AFV 573 / PC60UP: AFV 574
PC14DO: AFV 599 / PC14DO: AFV599/1 / PC44DO: AFV 710
PC14UP: ABV 600 / PC14UP: ABV600/1 / PC44UP: ABV 711

Q-Systemüberprüfung erfolgt durch: TÜV Bau- und Betriebstechnik
Quality production check/System de qualité verifié: Westendstrasse 199
Organismo per controllo sistema: D-80686 München
Kennnummer/Identification number/Numéro/Numero: 0635

Bestätigt/Confirmed/Confirmée/Confermato

COBIANCHI LIFTEILE AG

Zentralsekretariat / Technik

