

EC TYPE-EXAMINATION CERTIFICATE

Acting under the Warenwetbesluit liften issued by Liftinstituut B.V.
identification number Notified Body 0400,
commissioned by Besluit no. 2014-0000003574 of January 10th, 2014

Certificate nr. : NL15-400-1002-142-05 Revision nr.:

Description of the product : Energy accumulation buffers with nonlinear characteristics

Trademark, type : ETN, EN 15

Name and address of the manufacturer : Pleiger Kunststoff GmbH & Co. KG
Im Hammertal 51
D-58456 Witten, Germany

Name and address of the certificate holder : Elastomer Technik Nürnberg GmbH
An der Kaufleite 20
D-90562 Kalchreuth, Germany

Certificate issued on the following requirements : Lifts Directive 95/16/EC

Certificate based on the following standards : EN 81-20:2014 Clause 5.8
EN 81-50:2014 Clause 5.5

Test laboratory : Liftinstituut, Alphen aan den Rijn

Date and number of the laboratory report : August 31st, 2015, Test report belonging to the EC type-examination certificate nr.: NL15-400-1002-142-05

Date of EC type-examination : January 2015 – August 2015

Additional documents with this certificate : Report belonging to the EC type-examination certificate nr.: NL15-400-1002-142-05

Additional remarks : Dimensions Ø125 x 154 mm
Load range 400 – 1600 kg
Maximum rated speed 1.0 m/s

Conclusion : The safety component meets the requirements of the Lifts Directive 95/16/EC taking into account any additional remarks mentioned above.

Issued in Amsterdam
Date of issue : 31-08-2015
Valid until : 31-08-2020


ing. A.J. van Ommen
Manager Business Unit
Certification


Certification decision by

Report EC type-examination

Report belonging to EC type-examination certificate no.	: NL15-400-1002-142-05
Date of issue of original certificate	: August 31 st , 2015
Concerns	: Safety component
No. and date of revision	: -
Requirements	: Lifts Directive 95/16/EC Standards: EN 81-20:2014 Clause 5.8 EN 81-50:2014 Clause 5.5
Project no.	: P150112-01

1. General specifications

Name and address manufacturer	: Pleiger Kunststoff GmbH & Co. KG Im Hammertal 51 D-58456 Witten, Germany
Description of safety component	: Energy accumulation buffers with nonlinear characteristics
Type	: EN 15
Laboratory	: Liftinstituut, Alphen aan den Rijn :
Date / Data of examination	: January 2015 – August 2015
Examination performed by	: R.E. Kaspersma, A. van den Burg

2. Description safety component

The Energy accumulation buffers with nonlinear characteristics EN15 from ETN is produced by Pleiger Kunststoff are made of Polyurethane. The buffer tested is a buffer with a height of 154 mm and a diameter of 125 mm. The data plate information is provided on a ring fixed into the groove of the buffer.

3. Examinations and tests

The examination covered a check whether compliance with the Lift Directive 95/16/EC is met, if possible based on the harmonized product standards EN 81-20 clause 5.8 and EN 81-50 clause 5.5.

The examination included:

- Examination of the technical file (See annex 2):
- Examination of the representative model in order to establish conformity with the technical file.
- Free fall tests to check compliance with the requirements.
- A static compression curve

4. Results

After the final examination the product and the technical file were found in accordance with the requirements. The functional tests passed without remarks. The load tests passed without remarks and did not lead to permanent deformations or loss of stability.

For detailed test results see Test report belonging to EC type-examination certificate no. : NL15-400-1002-142-05

5. Conditions

On the EC type-examination certificate the following conditions apply:

- | | |
|--|---------------|
| - Load range for a rated speed of 1.0 m/s: | 450 – 1300 kg |
| - Temperature range material: | -40°C – 80°C |
| - Nominal temperature range: | +5°C – 40 °C |
| - Humidity range | 0% - 70% |
| - Minimum life time | 5 years |

6. Conclusions

Based upon the results of the EC type-examination Liftinstituut B.V. issues an EC type-examination certificate.

The EC type-examination certificate is only valid for products which are in conformity with the same specifications as the type certified product. The EC type-examination certificate is issued based on the requirements that are valid at the date of issue. In case of changes of the product specifications, changes in the requirements or changes in the state of the art the certificate holder shall request Liftinstituut B.V. to reconsider the validity of the EC type-examination certificate.



7. CE marking and EC Declaration of conformity

Every safety component that is placed on the market in complete conformity with the examined type must be provided with a CE marking according to annex III of the Directive under consideration that conformity with eventually other applicable Directives is proven. Also every safety component must be accompanied by an EC declaration of conformity according to annex II of the Directive in which the name, address and Notified Body identification number of Liftinstituut B.V. must be included as well as the number of the EC type-examination certificate.

An EC type-certified safety component shall be random checked according to annex XI of the Lift directive 95/16/EC before these safety components may be CE-marked and may be placed on the market. For further information see regulation 2.0.1 'Regulations for product certification' on www.liftinstituut.com.

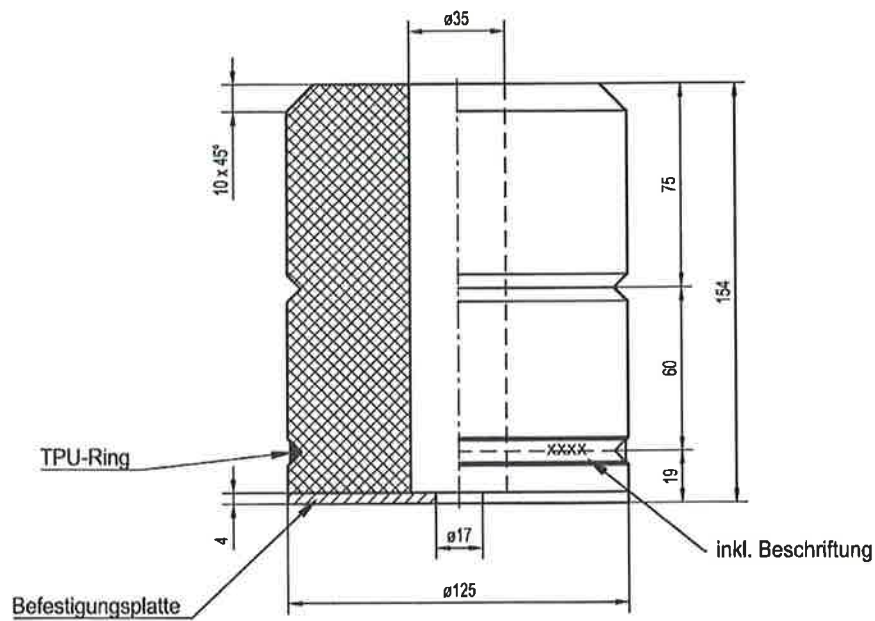
Prepared by:

R.E. Kaspersma
Productspecialist Certificatie
Liftinstituut B.V.

Certification decision by:

Annexes

Annex 1 : Basic lay-out



Elastomer-Technik Nürnberg GmbH An der Kaufelte 20 D-90562 Kaichreuth				Maßstab 1 : 2	
				Artikel-Nr. 320215	
		Datum	Name	Aufsetzpuffer EN15 ø 125 x 150 mm	
		Bearb.	Landkammer		
		Gepr.			
		Norm			
		Toleranzklasse ISO 2788-m		Zeichnung-Nr. 15-055	
		Nicht bemaßte Kanten ~0,5 x 45°			
Zust.	Änderung	Datum	Name	Ursprung	Ersatz für:
					Ersatz durch:



Annex 2 : Documents of the Technical File which were subject of the examination

title	document number	date
User Manual	-	07-03-2008
Drawing	15-055	20-04-2015
Pleiger Statement		12-08-2015



Annex 3 : Revision overview

REVISIONS OF THE CERTIFICATE

Rev.:	Date	Summary of revision
-	August 31 st , 2015	Original

REVISIONS OF THE REPORT, BELONGING TO THE CERTIFICATE

Rev.:	Date	Summary of revision
-	August 31 st , 2015	Original